

TC 1037

Directional Telephone Transducer

The TC1037 is a rugged small size directional transducer with low operating frequency. It is specifically designed for acoustic underwater communication. TC1037 can be used as a building block in special long-range sonars or in sub-bottom penetration single or multibeam systems.



TECHNICAL SPECIFICATIONS

Typical usable frequency band:	6kHz to 15kHz
Transmitting sensitivity:	* >144dB at 7.3 kHz (re 1μPa/Vrms at 1m)
Receiving sensitivity:	* >-170dB at 7.3 kHz (re 1Vrms/μPa)
Impedance:	* 670 Ω ± 250 Ω at 7.3 kHz
Beam shape:	Conical
Beam width:	80°at 8kHz
Max input power:	400W (1% duty cycle)
Operating depth:	600m
Survival depth:	800m
Operating temperature range:	-2°C to +35°C
Storage temperature range:	-40°C to +70°C
Cable (Optional)	Connector: Impulse MCBH-3-MP.
Housing:	Special formulated NBR
Weight (air) incl. cable:	5,8kg

* Specific data for actual Transducer unit comes with the calibration plots

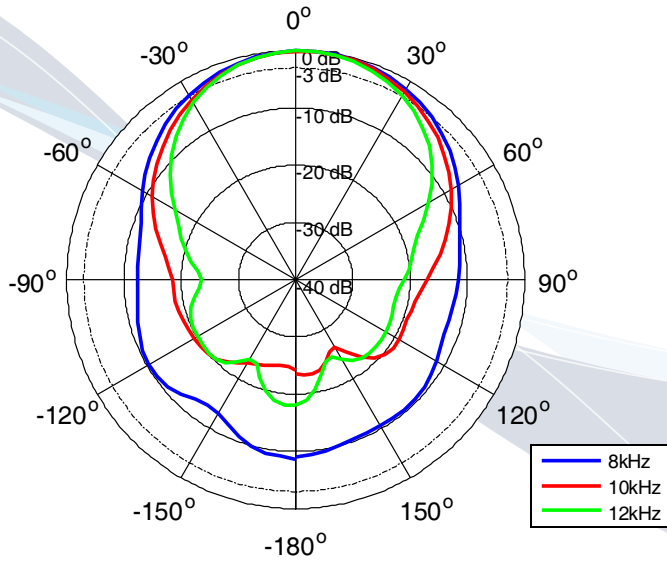
PRODUCT BENEFITS

- High transmit efficiency for long range performance
- TC1037-2 with integrated flange for ease of installation

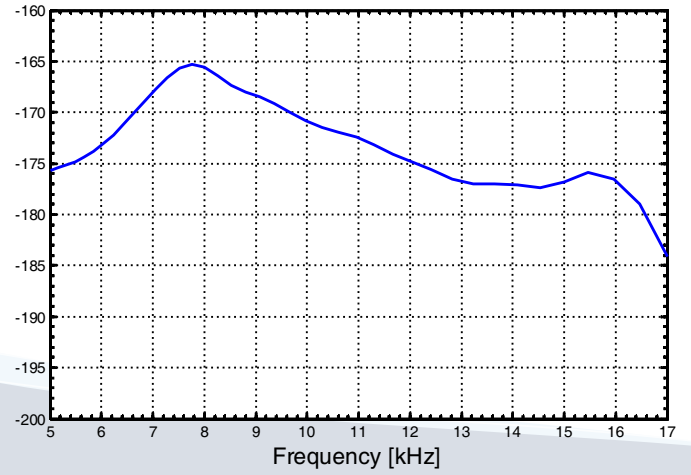
TC 1037

Directional Telephone Transducer

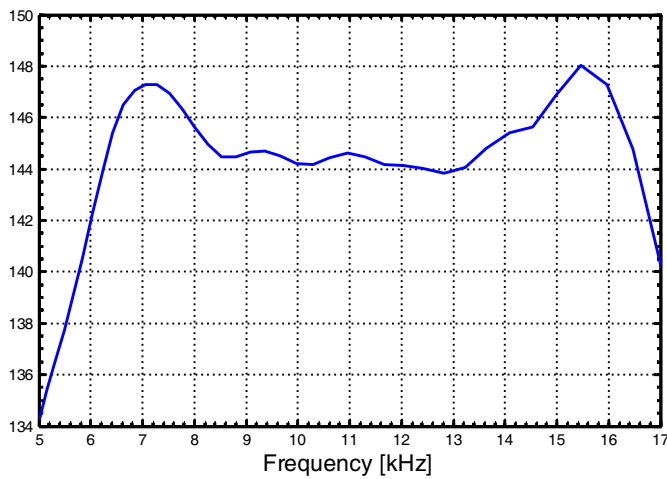
Vertical directivity pattern



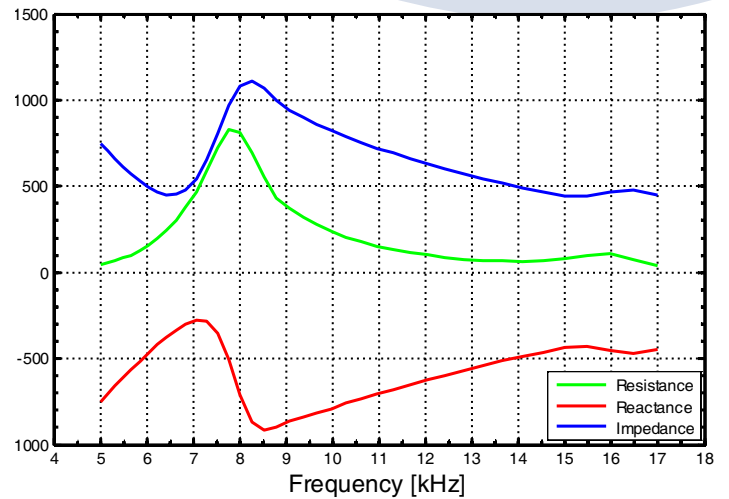
Receiving Sensitivity [dB re 1V/μPa @ 1m]



Transmitting Sensitivity [dB re 1μPa/V @ 1m]



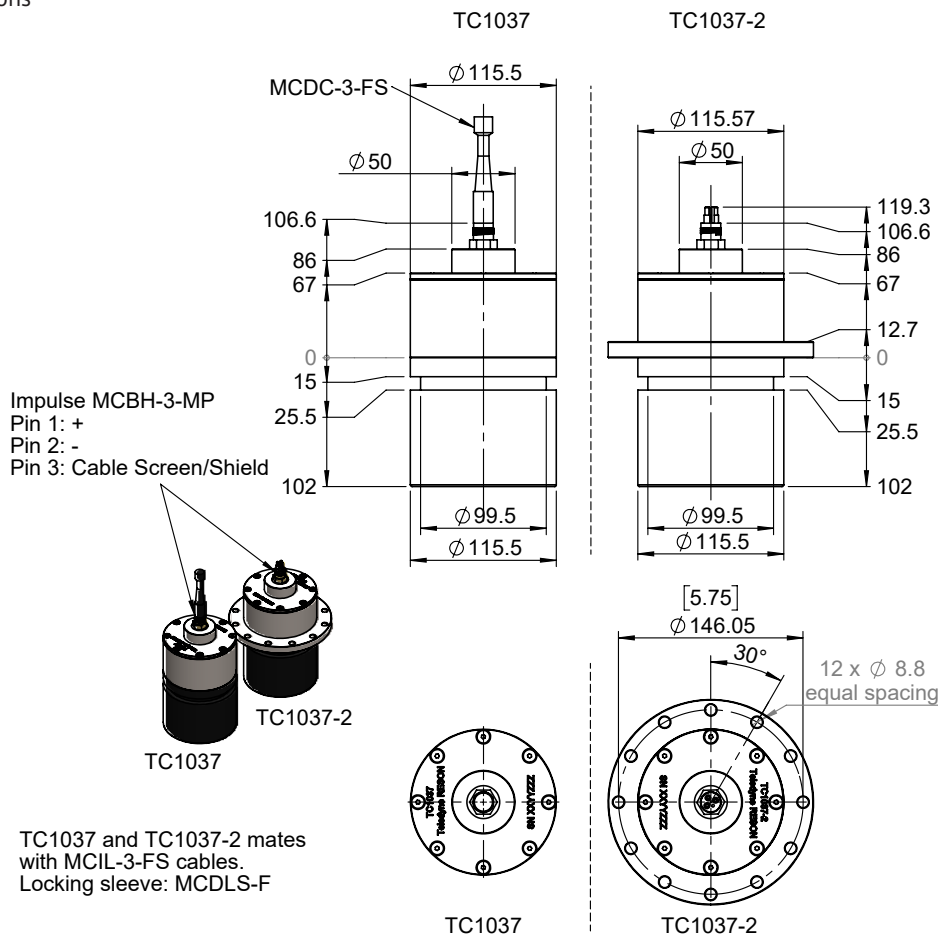
Impedance



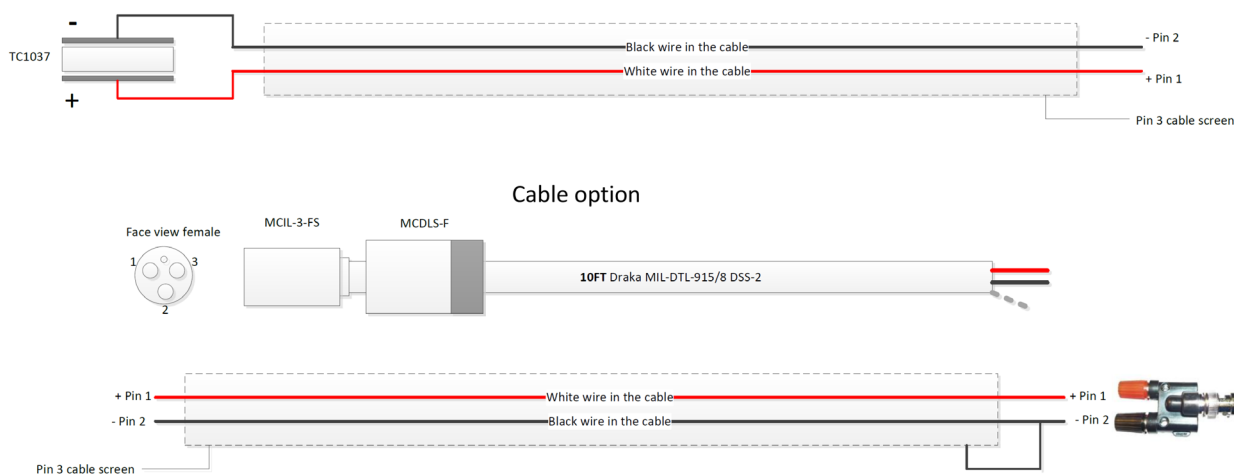
TC 1037

Directional Telephone Transducer

Outline Dimensions



For reference wiring towards transducer



TELEDYNE MARINE
RESON
Everywhere you look™

www.teledynemarine.com/reson

Tel. +45 4738 0022 (Europe) • Tel: +1 805 964 6260 (USA)

Email: reson@teledyne.com