



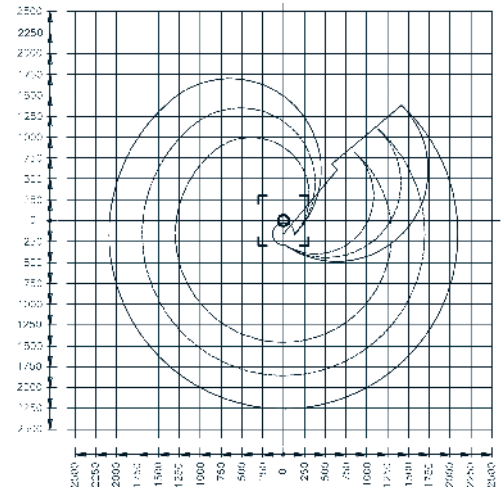
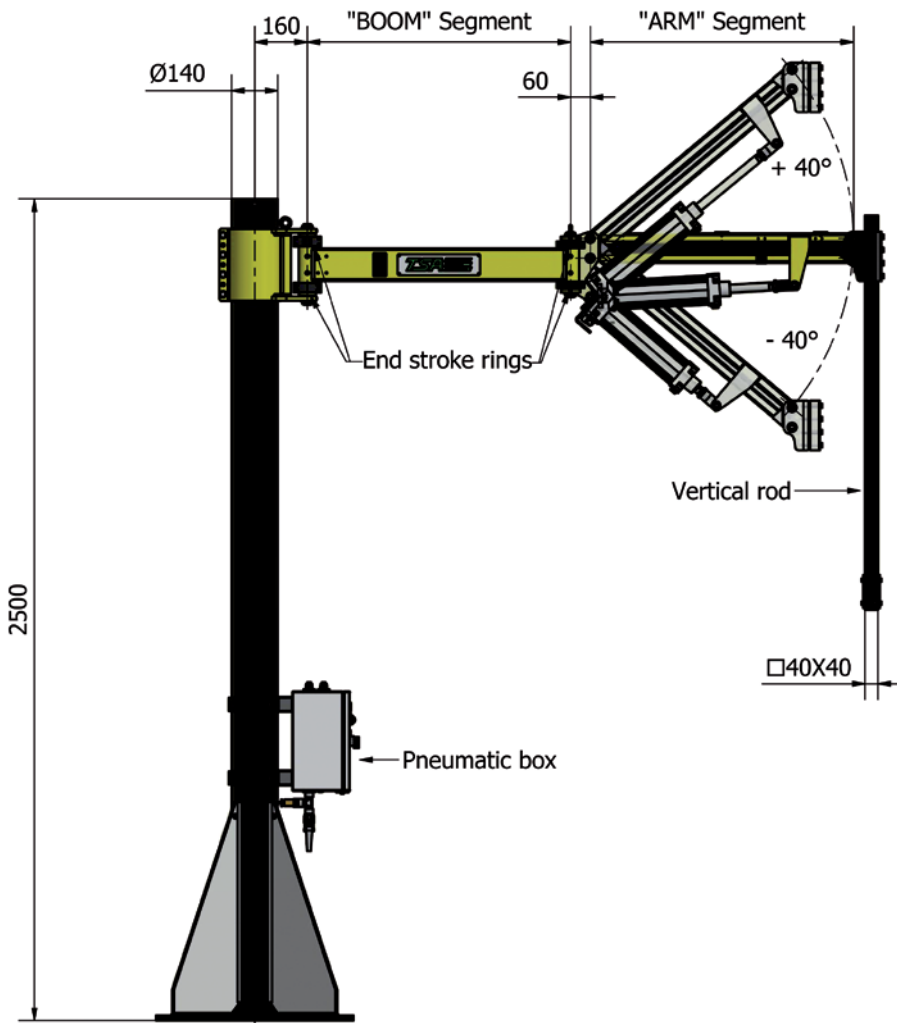
## SIZE "2" 250NM - FLOOR PNEUMATIC ARTICULATED ARMS

SINGLE CYLINDER PERFORMANCE AND DIMENSIONS						
MODELS	BALANCING CAPACITY					
	2 Bar	3 Bar	4 Bar	5 Bar	6 Bar	7 Bar
S2PP111414000	/ Kg.	7 Kg.	27 Kg.	38 Kg.	49 Kg.	60 Kg.
D2PP111414000	/ Kg.	4 Kg.	21 Kg.	29,5 Kg.	37 Kg.	46 Kg.
S2PP221414000	/ Kg.	2 Kg.	9,5 Kg.	16,5 Kg.	24,5 Kg.	32,5 Kg.
D2PP221414000						
S2PP331414000						
D2PP331414000						
MODELS	boom length mm	arm length mm	∅ units of balancing	torque limit Nm	vertical rod	usable vertical stroke
S2PP111414000	800	800	80	250	40x40	1030
D2PP111414000						
S2PP221414000	1000	1000	80	250	40x40	1285
D2PP221414000						
S2PP331414000	1200	1200	80	250	40x40	1540
D2PP331414000						
PERFORMANCE AND DIMENSIONS TWIN-CYLINDER						
MODELS	BALANCING CAPACITY					
	2 Bar	3 Bar	4 Bar	5 Bar	6 Bar	7 Bar
S2PP111424000	/ Kg.	14 Kg.	52 Kg.	60 Kg.	60 Kg.	60 Kg.
D2PP111424000	/ Kg.	8 Kg.	42,5 Kg.	59 Kg.	60 Kg.	60 Kg.
S2PP221424000	/ Kg.	4 Kg.	19 Kg.	33 Kg.	49 Kg.	60 Kg.
D2PP221424000						
S2PP331424000						
D2PP331424000						
MODELS	boom length mm	arm length mm	∅ units of balancing	torque limit Nm	vertical rod	usable vertical stroke
S2PP111424000	800	800	80	250	40x40	1030
D2PP111424000						
S2PP221424000	1000	1000	80	250	40x40	1285
D2PP221424000						
S2PP331424000	1200	1200	80	250	40x40	1540
D2PP331424000						

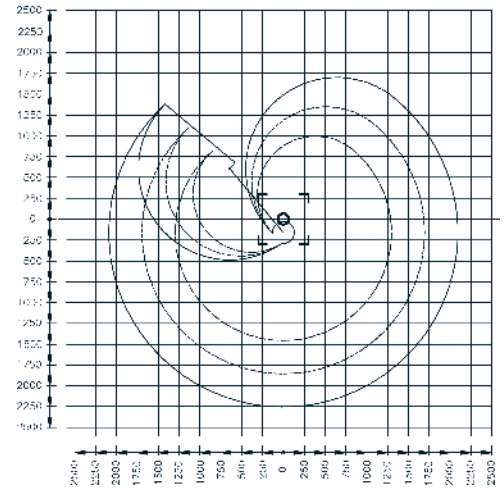
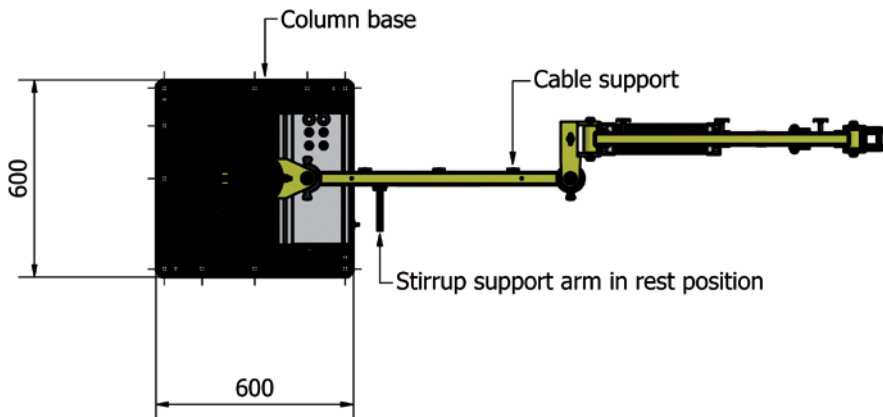
### Accessories available

Floor fixing (standard)	S2PP...	Horizontal swivel wrist	PGO410000
	D2PP...	Swivel wrist 24 lock horiz. pneumatic	PLO420000
Wall mounting	S2FP...		PLO421000
	D2FP...	Swivel wrist 24 lock horiz. manual	PLO410000
Aerial runway fixing	S2VP...		PLO411000
	D2VP...	Wrist axis rotary tool body	PAO410000
Vertical rod supplied with the arm.	A14000000	Clamp supports tool	MSO410000
Communicate the length at the time of purchase	A24000000	Tool holder bracket	SSO410000
Vertical axis pneumatic brake	F24P11400	Adjustable vertical-horizontal wrist	PPO410000
Pneumatic rotation brake Arm	G20P11400	Polso girevole 24 lock	PBV400000
Horizontal axis pneumatic brake	P34P11400	Brackets supports encoder	E21000000
Vertical fixed wrist	PFV400000		E22000000
	PFV400003	Instrumentation support	S00000000
Vertical swivel wrist	PGV400000		
	PGV400003		

**Plan Arm SX**



**Plan Arm DX**



- Boom L-800 Arm L-800
- · - · - · Boom L-1000 Arm L-1000
- Boom L-1200 Arm L-1200