



**FK DN 40÷400**  
PP-H

Butterfly valve

# FK

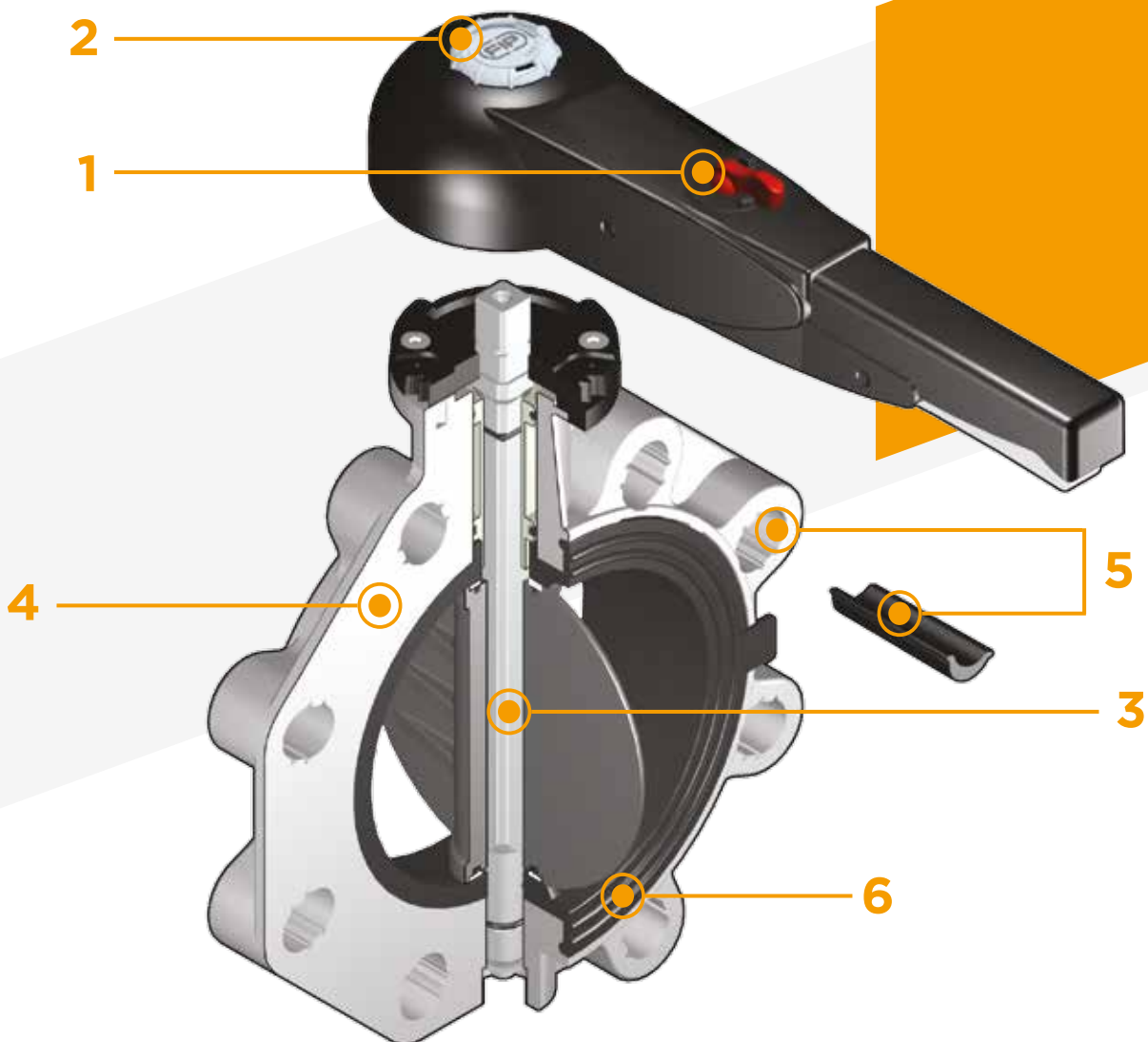
## DN 40÷400

The FK is a butterfly valve for shutting off or regulating flow, with structural characteristics that make it ideal for industrial applications requiring high performance and long-term reliability. This valve is also equipped with the customisable Labelling System.

### BUTTERFLY VALVE

- Interchangeable Disk in PP-H with through shaft, available in different thermoplastic materials: PVC-U, PVC-C, ABS, PVDF
- Overall dimensions of the valve in accordance with standard ISO 5752 (DN 40÷200 Medium series 25, DN 250÷ 300 Long Series 16) and DIN 3202 K2 and ISO 5752 (DN DN 65÷200 K2, DN 250÷300 K3)
- Can also be installed as an end line valve, bottom discharge valve or tank dump valve
- **Special Lug version** PN 10 fully drilled according to DIN 2501 or ANSI B16.5 cl.150 **with molded-in AISI 316 stainless steel threaded inserts**
- **Valve material compatibility** (PP-H) with water conveyance, drinking water and other food substances according to current **regulations**
- Possibility of installing a manual reducer or pneumatic and/or electric actuators by applying an ISO standard drilling PP-GR flanges. DN 40 ÷ 200 valve equipped with plate with rack in PP-GR. For actuated versions with flange drilled according to ISO 5211 F05, F07, F10. DN 250÷300 valve, fitted with one-piece top flange in high mechanical strength PP-GR with mounting flange for internal components drilled according to standard ISO 5211 F10 (excluding DN 350÷400), F12, F14.

Technical specifications	
<b>Construction</b>	Bi-directional centric butterfly valve
<b>Size range</b>	DN 40÷400
<b>Nominal pressure</b>	<b>Wafer version</b> <b>DN 40÷250:</b> PN 10 with water at 20° C <b>DN 300:</b> PN 8 with water at 20° C <b>DN 350:</b> PN 7 with water at 20° C <b>DN 400:</b> PN 6 with water at 20° C <b>Lug version</b> <b>DN 65÷200:</b> PN 10 with water at 20° C <b>DN 250÷300:</b> PN 6 with water at 20° C
<b>Temperature range</b>	0 °C ÷ 100 °C
<b>Coupling standards</b>	<b>Flanging system:</b> EN ISO 15494, DIN 2501, ISO 7005-1, EN 1092-1, ASTM B16.5 cl.150, JIS B 2220
<b>Reference standards</b>	<b>Construction criteria:</b> EN ISO 16136, EN ISO 15494 <b>Test methods and requirements:</b> ISO 9393 <b>Actuator couplings:</b> ISO 5211
<b>Valve material</b>	<b>Body:</b> PP-GR <b>Disk:</b> PP-H <b>Stem:</b> AISI steel 316
<b>Seal material</b>	Liner: EPDM, FPM. On request NBR
<b>Control options</b>	Manual control (DN 40÷200); Gearbox, pneumatic actuator, electric actuator



**1 Ergonomic handle** in HIPVC equipped with **locking and unlocking device, release, quick operation and graduated adjustment** in 10 intermediate positions (DN 40÷200). The operating range, starting from the first few degrees of valve opening, also guarantees extremely low pressure drops.

**2 Customisable Labelling System:** integrated module in the handle, made of a transparent protection plug and a customisable tag holder using the LSE set (available as an accessory). The **customisation** lets you **identify the valve on the system** according to specific needs.

**3 STAINLESS steel square section stem** completely isolated from the fluid complying with standard ISO 5211:  
 DN 40÷65: 11 mm  
 DN 80÷100: 14 mm  
 DN 125÷150: 17 mm  
 DN 200: 22 mm  
 DN 250÷400: 27 mm

**4 Body** in polypropylene based **compound reinforced with fibreglass (PP-GR) resistant to UV rays** and characterised by **high mechanical strength**.

**5 Drilling pattern** using **oval slots** that allow coupling to flanges according to numerous international standards. The

special **self-centring inserts in ABS** supplied for DN 40÷200 guarantee the **correct axial alignment** of the valve during installation.

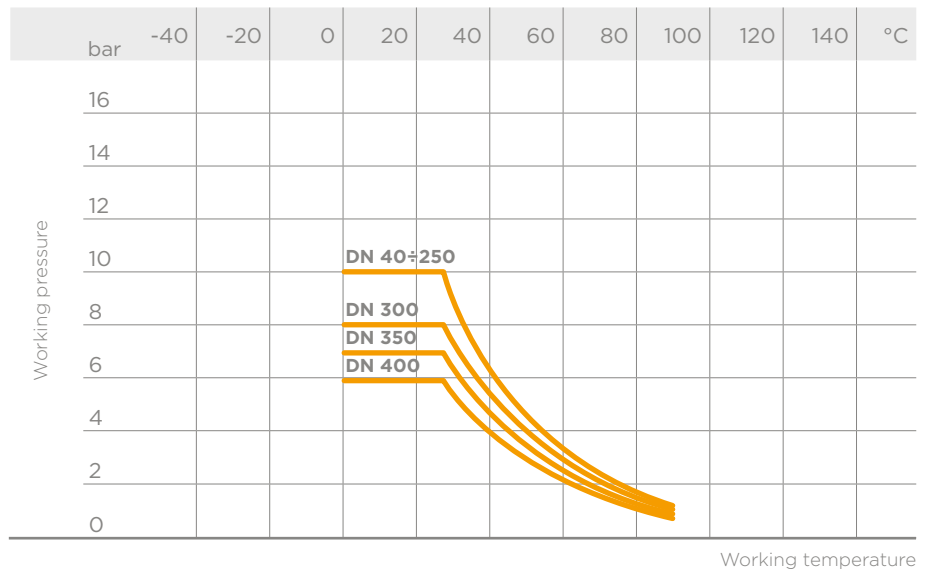
For DN 250÷400 valves, the drilling pattern for the self-centring system is of the traditional type according to DIN and ANSI standards.

**6 Interchangeable liner** with the dual function of forming a hydraulic seal and isolating the body from the fluid.

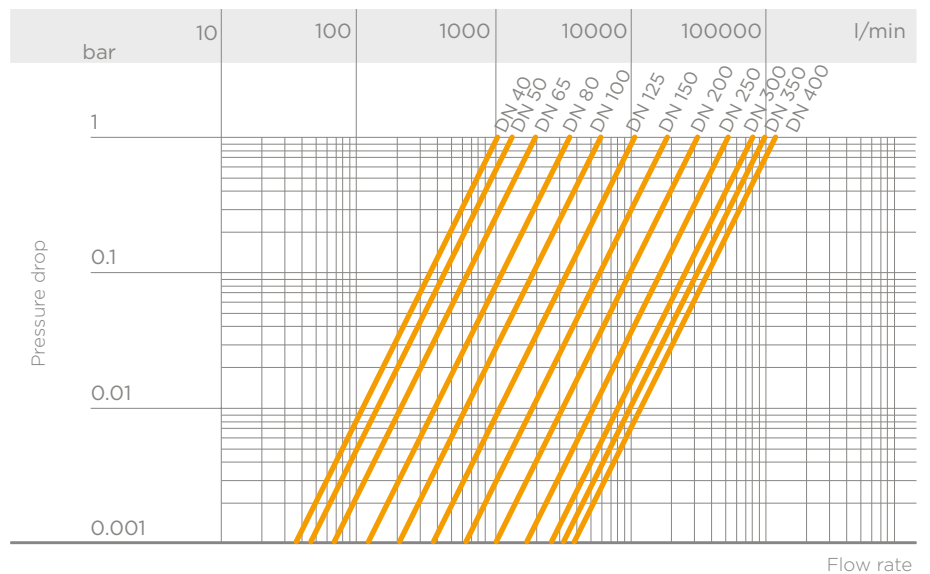
# TECHNICAL DATA

## PRESSURE VARIATION ACCORDING TO TEMPERATURE

For water and harmless fluids to which the material is classified as CHEMICALLY RESISTANT. In other cases, a reduction of the nominal pressure PN is required (25 years with safety factor).



## PRESSURE DROP GRAPH



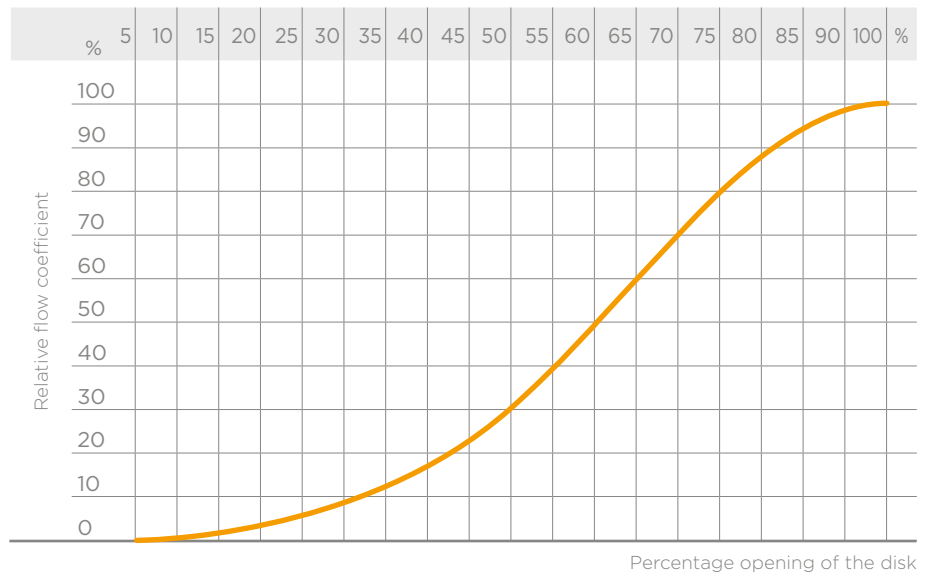
## K<sub>v</sub>100 FLOW COEFFICIENT

The K<sub>v</sub>100 flow coefficient is the Q flow of litres per minute of water at a temperature of 20°C that will generate Δp= 1 bar pressure drop at a certain valve position.

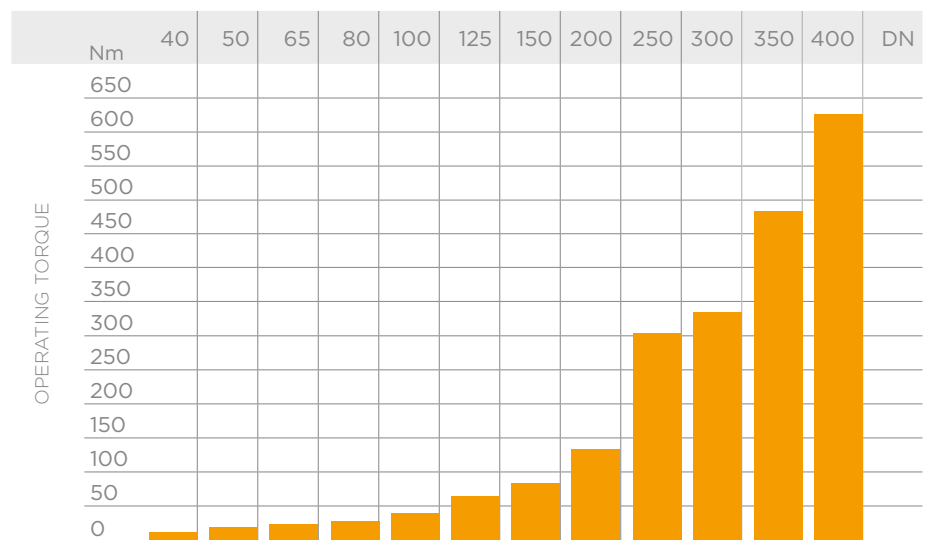
The K<sub>v</sub>100 values shown in the table are calculated with the valve completely open.

DN	40	50	65	80	100	125	150	200	250	300	350	400
K <sub>v</sub> 100 l/min	1000	1285	1700	3550	5900	9850	18700	30500	53200	81600	94100	124900

## RELATIVE FLOW COEFFICIENT GRAPH

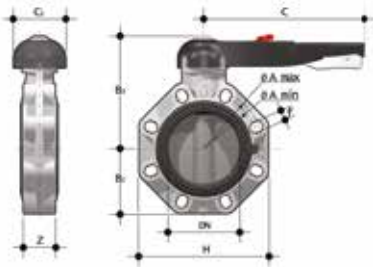


## OPERATING TORQUE AT MAXIMUM WORKING PRESSURE



The information in this leaflet is provided in good faith. No liability will be accepted concerning technical data that is not directly covered by recognised international standards. FIP reserves the right to carry out any modification. Products must be installed and maintained by qualified personnel.

# DIMENSIONS



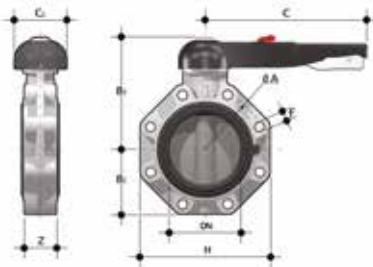
## FKOM/LM

Hand operated Butterfly valve

d - Size	DN	PN	A min	A max	B <sub>2</sub>	B <sub>3</sub>	C	C <sub>1</sub>	H	U	Z	g	EPDM Code	FPM Code
50 - 1" 1/2	40	10	99	109	60	137	175	100	132	4	33	800	FKOMLM050E	FKOMLM050F
63 - 2"	50	10	115	125.5	70	143	175	100	147	4	43	980	FKOMLM063E	FKOMLM063F
75 - 2" 1/2	65	10	128	144	80	164	175	110	165	4	46	1370	FKOMLM075E	FKOMLM075F
90 - 3"	80	10	145	160	93	178	175	100	185	8	49	1770	FKOMLM090E	FKOMLM090F
110 - 4"	100	10	165	190	107	192	272	110	211	8	56	2120	FKOMLM110E	FKOMLM110F
140 - 5"	125	10	204	215	120	212	330	110	240	8	64	3000	FKOMLM140E	FKOMLM140F
160 - 6"	150	10	230	242	134	225	330	110	268	8	70	3750	FKOMLM160E	FKOMLM160F
200*/225 - 8"	200	10	280	298	161	272	420	122	323	8	71	6650	FKOMLM225E	FKOMLM225F

Note: NBR liners are available for d75÷225

\* The special chamfered stubs QBM from d160 to d315 are available for installation on pipes in PP-H SDR 11 and 17.6



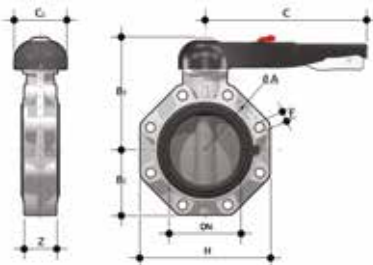
## FKOM/LM LUG ISO-DIN

Hand operated butterfly valve, version Lug ISO-DIN

d	DN	PN	øA	B <sub>2</sub>	B <sub>3</sub>	C	C <sub>1</sub>	f	H	U	Z	g	EPDM Code	FPM Code
75	65	10	145	80	164	175	110	M16	165	4	46	1770	FKOLMLM075E	FKOLMLM075F
90	80	10	160	93	178	175	100	M16	185	8	49	2570	FKOLMLM090E	FKOLMLM090F
110	100	10	180	107	192	272	110	M16	211	8	56	2920	FKOLMLM110E	FKOLMLM110F
140	125	10	210	120	212	330	110	M16	240	8	64	4600	FKOLMLM140E	FKOLMLM140F
160	150	10	240	134	225	330	110	M20	268	8	70	5350	FKOLMLM160E	FKOLMLM160F
200*/225	200	10	295	161	272	420	122	M20	323	8	71	8250	FKOLMLM225E	FKOLMLM225F

Note: NBR liners are available for d75÷225

\* The special chamfered stubs QBM from d160 to d315 are available for installation on pipes in PP-H SDR 11 and 17.6

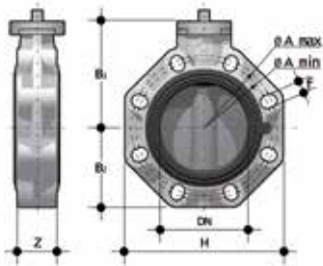


## FKOM/LM LUG ANSI

Hand operated Butterfly valve, version Lug ANSI

d	DN	PN	øA	B <sub>1</sub>	B <sub>2</sub>	C	C <sub>1</sub>	f	H	U	Z	g	EPDM Code	FPM Code
2" 1/2	65	10	140	119	80	175	110	5/8"	165	4	46	1770	FKOALMLM212E	FKOALMLM212F
3"	80	10	152	133	93	175	100	5/8"	185	8	49	2570	FKOALMLM300E	FKOALMLM300F
4"	100	10	191	147	107	272	110	5/8"	211	8	56	2920	FKOALMLM400E	FKOALMLM400F
5"	125	10	216	167	120	330	110	3/4"	240	8	64	4600	FKOALMLM500E	FKOALMLM500F
6"	150	10	241	180	134	330	110	3/4"	268	8	70	5350	FKOALMLM600E	FKOALMLM600F
8"	200	10	298	227	161	420	122	3/4"	323	8	71	8250	FKOALMLM800E	FKOALMLM800F

Note: NBR liners are available for d 2 1/2" ÷ 8"



## FKOM/FM

Butterfly valve with bare shaft

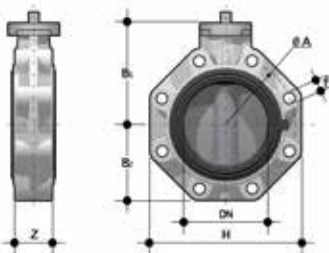
d - Size	DN	PN	A min	A max	øA	B <sub>1</sub>	B <sub>2</sub>	f	H	U	Z	g	EPDM Code	FPM Code
50 - 1" 1/2	40	10	99	109	-	106	60	19	132	4	33	474	FKOMFM050E	FKOMFM050F
63 - 2"	50	10	115	126	-	112	70	19	147	4	43	654	FKOMFM063E	FKOMFM063F
75 - 2" 1/2	65	10	128	144	-	119	80	19	165	4	46	900	FKOMFM075E	FKOMFM075F
90 - 3"	80	10	145	160	-	133	93	19	185	8	49	1300	FKOMFM090E	FKOMFM090F
110 - 4"	100	10	165	190	-	147	107	19	211	8	56	1650	FKOMFM110E	FKOMFM110F
140 - 5"	125	10	204	215	-	167	120	23	240	8	64	2450	FKOMFM140E	FKOMFM140F
160 - 6"	150	10	230	242	-	180	134	23	268	8	70	3200	FKOMFM160E	FKOMFM160F
200*/225 - 8"	200	10	280	298	-	227	161	23	323	8	71	5900	FKOMFM225E	FKOMFM225F
250	**250	10	-	-	350	248	210	22	405	12	114	11800	FKOMFM280E	FKOMFM280F
280	**250	10	-	-	350	248	210	22	405	12	114	11800	FKOMFM280E	FKOMFM280F
315	***300	8	-	-	400	305	245	22	475	12	114	18700	FKOMFM315E	FKOMFM315F
***355	350	7	-	-	460	330	280	22	530	16	129	23315	FKOMFM355E	FKOMFM355F
***400	400	6	-	-	515	350	306	26	594	16	169	30310	FKOMFM400E	FKOMFM400F
10"	**250	10	-	-	362	248	210	25.4	405	12	114	11800	FKOAMFM810E	FKOAMFM810F
12"	***300	8	-	-	400	305	245	25.4	475	12	114	18700	FKOAMFM812E	FKOAMFM812F
****14"	350	7	-	-	476	330	280	28.5	530	12	129	23315	FKOAMFM814E	FKOAMFM814F
****16"	400	6	-	-	540	350	306	28.5	594	16	169	30310	FKOAMFM816E	FKOAMFM816F

Note: NBR liners are available for d75÷225

\* The special chamfered stubs QBM from d160 to d315 are available for installation on pipes in PP-H SDR 11 and 17.6

\*\*ISO-DIN

\*\*\*ANSI B.16.5 150

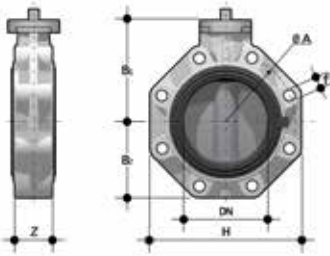


## FKOM/FM LUG ISO-DIN

Bare shaft Butterfly valve, version Lug ISO-DIN

d	DN	PN	øA	B <sub>1</sub>	B <sub>2</sub>	f	H	U	Z	g	EPDM Code	FPM Code
75	65	10	145	119	80	M16	165	4	46	1300	FKOLMFM075E	FKOLMFM075F
90	80	10	160	133	93	M16	185	8	49	2100	FKOLMFM090E	FKOLMFM090F
110	100	10	180	147	107	M16	211	8	56	2450	FKOLMFM110E	FKOLMFM110F
140	125	10	210	167	120	M16	240	8	64	4050	FKOLMFM140E	FKOLMFM140F
160	150	10	240	180	134	M20	268	8	70	4800	FKOLMFM160E	FKOLMFM160F
200*/225	200	10	295	227	161	M20	323	8	71	7500	FKOLMFM225E	FKOLMFM225F

Note: NBR liners are available for d75÷225 \*The special chamfered stubs QBM from d160 to d315 are available for installation on pipes in PP-H SDR 11 and 17.6

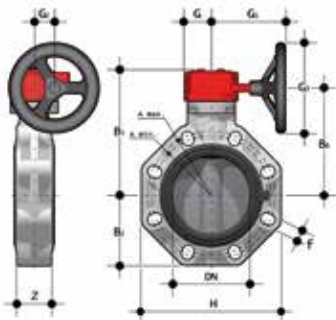


## FKOM/FM LUG ANSI

Bare shaft Butterfly valve, version Lug ANSI

d	DN	PN	øA	B <sub>1</sub>	B <sub>2</sub>	f	H	U	Z	g	EPDM Code	FPM Code
2" 1/2	65	10	140	119	80	5/8"	165	4	46	1300	FKOALMFM212E	FKOALMFM212F
3"	80	10	152	133	93	5/8"	185	8	49	2100	FKOALMFM300E	FKOALMFM300F
4"	100	10	191	147	107	5/8"	211	8	56	2450	FKOALMFM400E	FKOALMFM400F
5"	125	10	216	167	120	3/4"	240	8	64	4050	FKOALMFM500E	FKOALMFM500F
6"	150	10	241	180	134	3/4"	268	8	70	4800	FKOALMFM600E	FKOALMFM600F
8"	200	10	298	227	161	3/4"	323	8	71	7500	FKOALMFM800E	FKOALMFM800F
10"	250	6	362	248	210	7/8"	405	12	114	16600	FKOALMFM810E	FKOALMFM810F
12"	300	6	432	305	245	7/8"	475	12	114	23500	FKOALMFM812E	FKOALMFM812F

Note: NBR liners are available for d 2" 1/2÷ 8"



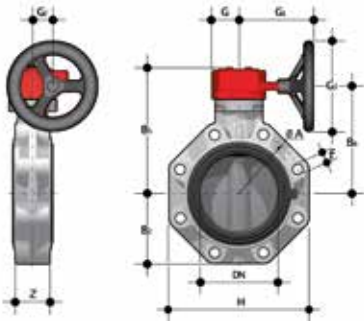
## FKOM/RM

Gearbox operated Butterfly valve

d - Size	DN	PN	A <sub>min</sub>	A <sub>max</sub>	øA	B <sub>2</sub>	B <sub>5</sub>	B <sub>6</sub>	G	G <sub>1</sub>	G <sub>2</sub>	G <sub>3</sub>	H	U	Z	g	EPDM Code	FPM Code
75 - 2" 1/2	65	10	128	144	-	80	174	146	48	135	39	125	165	4	46	2300	FKOMRM075E	FKOMRM075F
90 - 3"	80	10	145	160	-	93	188	160	48	135	39	125	185	8	49	2700	FKOMRM090E	FKOMRM090F
110 - 4"	100	10	165	190	-	107	202	174	48	135	39	125	211	8	56	3050	FKOMRM110E	FKOMRM110F
140 - 5"	125	10	204	215	-	120	222	194	48	144	39	200	240	8	64	4350	FKOMRM140E	FKOMRM140F
160 - 6"	150	10	230	242	-	134	235	207	48	144	39	200	268	8	70	5100	FKOMRM160E	FKOMRM160F
200/225 - 8"	200	10	280	298	-	161	287	256	65	204	60	200	323	8	71	9200	FKOMRM225E	FKOMRM225F
250-280	**250	10	-	-	350	210	317	281	88	236	76	250	405	12	114	18400	FKOMRM280E	FKOMRM280F
315	**300	10	-	-	350	210	317	281	88	236	76	250	405	12	114	18400	FKOMRM315E	FKOMRM315F
***355	350	7	-	-	460	280	438	390	88	361	80	300	530	16	129	31765	FKOMRM355E	FKOMRM355F
***400	400	6	-	-	515	306	438	390	88	361	80	300	594	16	169	38760	FKOMRM400E	FKOMRM400F
10"	***250	10	-	-	400	245	374	338	88	236	76	250	475	12	114	25450	FKOAMRM810E	FKOAMRM810F
12"	***300	8	-	-	350	210	317	281	88	236	76	250	405	12	114	18400	FKOAMRM812E	FKOAMRM812 F
****14"	350	7	-	-	476	280	438	390	88	361	80	300	530	12	129	31765	FKOAMRM814E	FKOAMRM814F
****16"	400	6	-	-	540	306	438	390	88	361	80	300	594	16	169	38760	FKOAMRM816E	FKOAMRM816E

Note: NBR liners are available for d75÷225 \*The special chamfered stubs QBM from d160 to d315 are available for installation on pipes in PP-H SDR 11 and 17.6  
 \*\*ISO-DIN  
 \*\*\*ANSI B.16.5 150





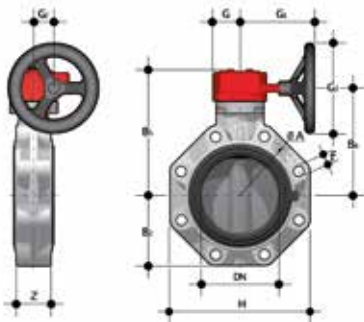
## FKOM/RM LUG ISO-DIN

Gearbox operated Butterfly valve, version Lug ISO-DIN

d	DN	PN	øA	B <sub>2</sub>	B <sub>5</sub>	B <sub>6</sub>	f	G	G <sub>1</sub>	G <sub>2</sub>	G <sub>3</sub>	H	U	Z	g	EPDM Code	FPM Code
75	65	10	145	80	174	146	M16	48	135	39	125	165	4	46	2700	FKOLMRM075E	FKOLMRM075F
90	80	10	160	93	188	160	M16	48	135	39	125	185	8	49	3500	FKOLMRM090E	FKOLMRM090F
110	100	10	180	107	202	174	M16	48	135	39	125	211	8	56	3850	FKOLMRM110E	FKOLMRM110F
140	125	10	210	120	222	194	M16	48	144	39	200	240	8	64	5950	FKOLMRM140E	FKOLMRM140F
160	150	10	240	134	235	207	M20	48	144	39	200	268	8	70	6700	FKOLMRM160E	FKOLMRM160F
200*/225	200	10	295	161	256	256	M20	65	204	60	200	323	8	71	10800	FKOLMRM225E	FKOLMRM225F

Note: NBR liners are available for d75÷225

\* The special chamfered stubs QBM from d160 to d315 are available for installation on pipes in PP-H SDR 11 and 17.6



## FKOM/RM LUG ANSI

Gearbox operated Butterfly valve, version Lug ANSI

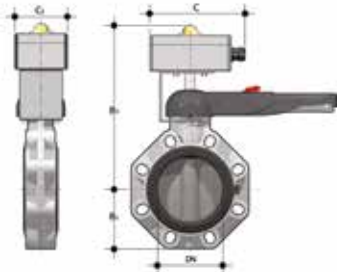
d	DN	PN	B <sub>2</sub>	B <sub>5</sub>	B <sub>6</sub>	H	Z	øA	f	G	G <sub>1</sub>	G <sub>2</sub>	G <sub>3</sub>	U	g	EPDM Code	FPM Code
2" 1/2	65	10	80	174	146	165	46	140	5/8"	48	135	39	125	4	2700	FKOALMRM212E	FKOALMRM212F
3"	80	10	93	188	160	185	49	152	5/8"	48	135	39	125	8	3500	FKOALMRM300E	FKOALMRM300F
4"	100	10	107	202	174	211	56	191	5/8"	48	135	39	125	8	3850	FKOALMRM400E	FKOALMRM400F
5"	125	10	120	222	194	240	64	216	3/4"	48	144	39	200	8	5950	FKOALMRM500E	FKOALMRM500F
6"	150	10	134	235	207	268	70	241	3/4"	48	144	39	200	8	6700	FKOALMRM600E	FKOALMRM600F
8"	200	10	161	287	256	323	71	298	3/4"	65	204	60	200	8	10800	FKOALMRM800E	FKOALMRM800F
10"	250	6	210	317	281	405	114	362	7/8"	88	236	76	250	12	23200	FKOALMRM810E	FKOALMRM810F
12"	300	6	245	374	338	475	114	432	7/8"	88	236	76	250	12	30250	FKOALMRM812E	FKOALMRM812F

Note: NBR liners are available for d 2 1/2" ÷ 8", see IR price list

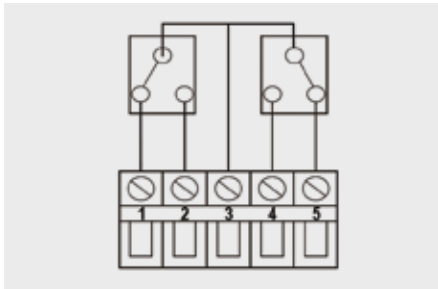
# ACCESSORIES

## FK MS

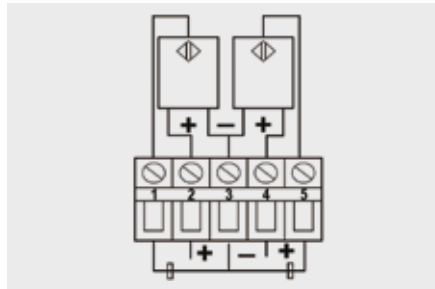
The MS kit lets you install a limit switch with electromechanical or inductive micro switches on a manual FK/LM valve to remotely signal the valve position (open-closed). The kit can be assembled on the valve even if already installed on the system.



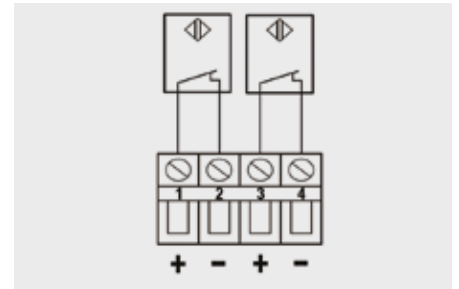
DN	B <sub>2</sub>	B <sub>3</sub>	C <sub>1</sub>	Protection rate	Code electromechanical	Code inductive	Code Namur
40	60	248	80	IP67	FKMS0M	FKMS0I	FKMS0N
50	70	254	80	IP67	FKMS0M	FKMS0I	FKMS0N
65	80	261	80	IP67	FKMS0M	FKMS0I	FKMS0N
80	93	275	80	IP67	FKMS1M	FKMS1I	FKMS1N
100	107	289	80	IP67	FKMS1M	FKMS1I	FKMS1N
125	120	309	80	IP67	FKMS1M	FKMS1I	FKMS1N
150	134	322	80	IP67	FKMS1M	FKMS1I	FKMS1N
200	161	369	80	IP67	FKMS2M	FKMS2I	FKMS2N



Electromechanical



Inductive



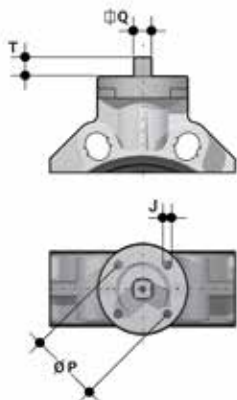
Namur

## LSE

Customisation set and label printing for Easyfit handle made up of precut adhesive sheets and software for guided label creation.



DN	Code
40	LSE040
50	LSE040
65	LSE040
80	LSE040
100	LSE040
125	LSE040
150	LSE040
200	LSE040



## Actuator mounting flange

The valve can be equipped with standard pneumatic or electric actuators and gearbox for heavy-duty operations, using a flange in PP-GR reproducing the drilling pattern provided for by standard ISO 5211.

DN	J	P	Ø	T	Q
40	7	50	F 05	12	11
50	7	50	F 05	12	11
65	7/9	50/70	F 05/F 07	12	11
80	9	70	F 07	16	14
100	9	70	F 07	16	14
125	9	70	F 07	19	17
150	9	70	F 07	19	17
200	11	102	F 10	24	22
200	11	102	F 10	24	22
250	11/13/17	102/125/140	F 10/F 12/F 14	29	27
300	11/13/17	102/125/140	F 10/F 12/F 14	29	27
350	14/18	125/140	F 12/F 14	29	27
400	14/18	125/140	F 12/F 14	29	27

## CUSTOMISATION

The FK valve is equipped with the customisable Labelling System.

This system lets you create special labels to insert in the handle. This makes it extremely easy to apply company logos, identification serial numbers or service indications such as, for example, the valve function in the system, the transported fluid, but also specific information for customer service, such as the customer name or installation date or location on the valves.

The specific LCE module is a standard supply and is made up of a rigid transparent water-resistant PVC plug (A-C) and white tag holder (B) made of the same material, one side of which bears the FIP logo (fig. 1).

The tag holder, inserted in the plug, can be removed and, once overturned, used for customisation by applying labels printed with the software supplied with the LSE set. Proceed as follows to apply the label on the valve:

- 1) Remove the upper part of the transparent plug (A) rotating it counter-clockwise as indicated by the word "Open" on the plug and remove it.
- 2) Extract the tag holder from its housing on the lower part of the plug (C)
- 3) Apply the adhesive label on the holder (B) to align the profiles matching the tab position.
- 4) Reinsert the tag holder in its housing at the bottom of the plug.
- 5) Reposition the top of the plug in the housing rotating it clockwise; this way the label is protected against the elements.

Fig. 1

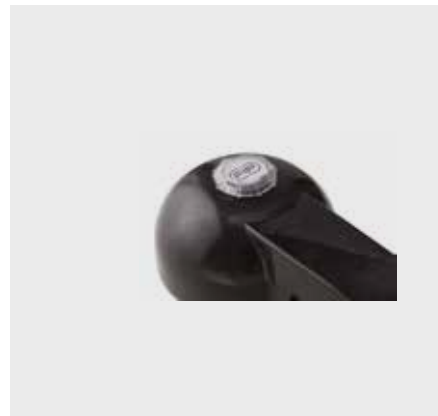
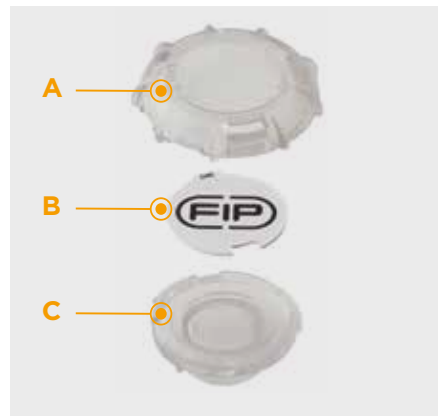
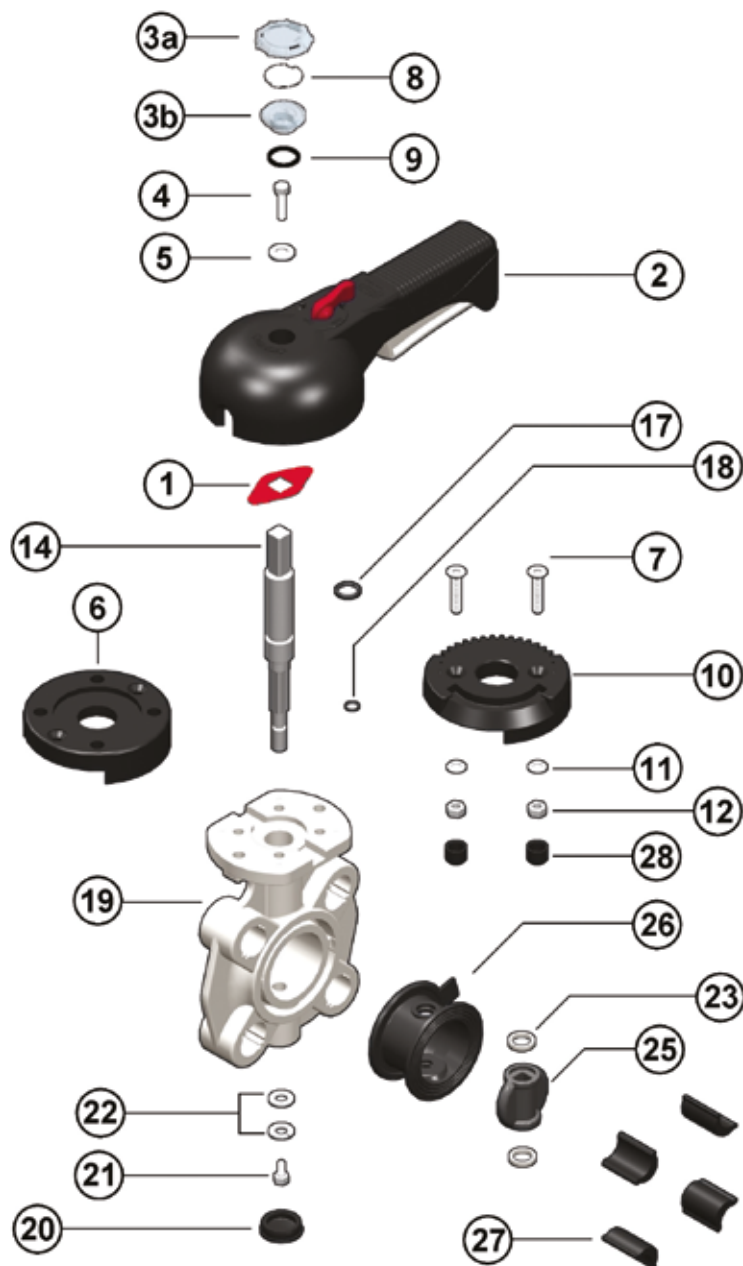


Fig. 2



# COMPONENTS

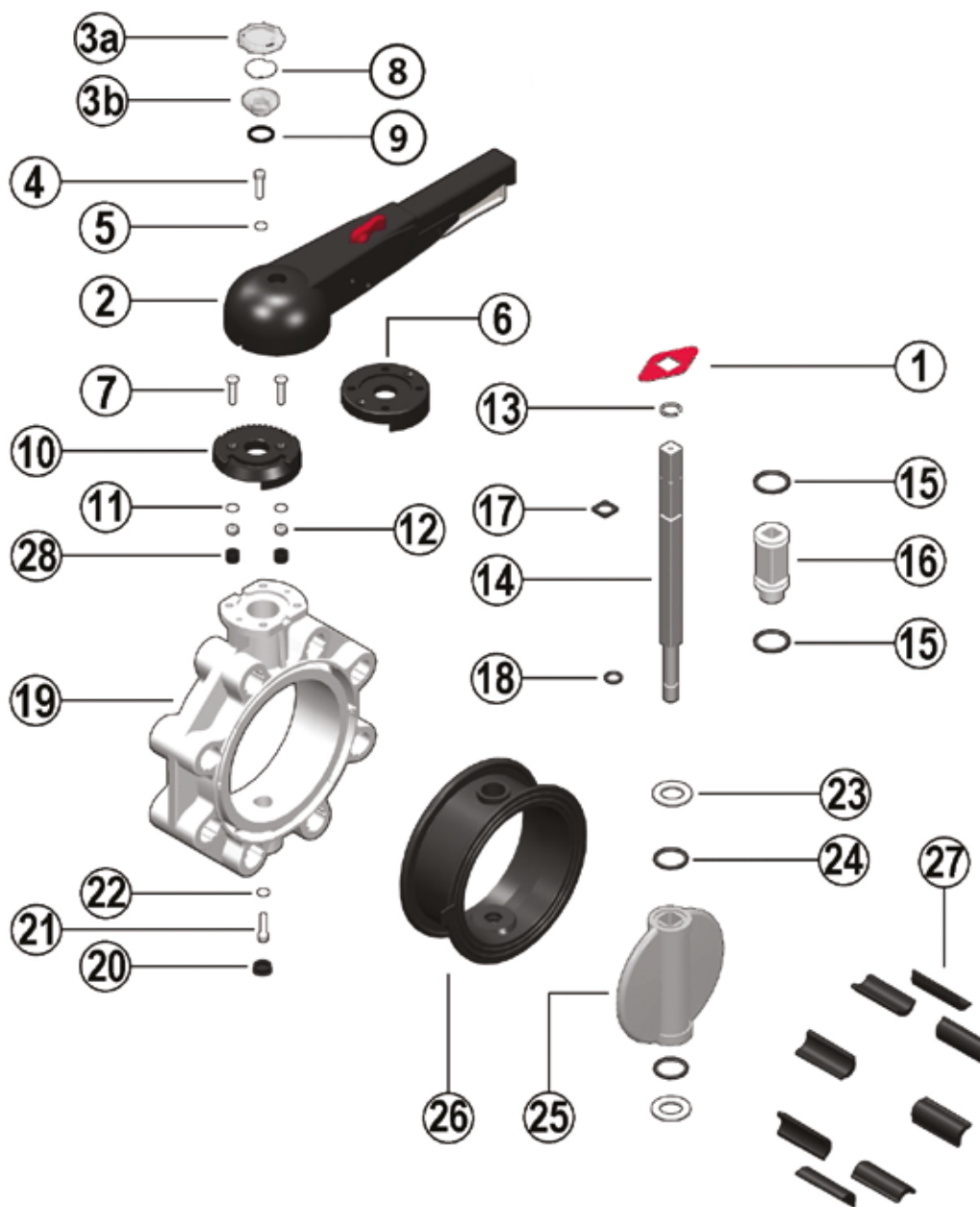
## EXPLODED VIEW DN 40÷50



- |   |   |   |
|---|---|---|
| <b>1</b> · Position indicator (PA - 1)              | <b>9</b> · O-Ring (NBR - 1)                   | <b>20</b> · Protection plug (PE - 1)      |
| <b>2</b> · Handle (HIPVC - 1)                       | <b>10</b> · Plate (PP-GR - 1)                 | <b>21</b> · Screw (STAINLESS Steel - 1)   |
| <b>3a/b</b> · Transparent protection plug (PVC - 1) | <b>11</b> · Washer (STAINLESS Steel - 2)      | <b>22</b> · Washer (STAINLESS steel - 1)  |
| <b>4</b> · Fastening screw (STAINLESS Steel - 1)    | <b>12</b> · Nut (STAINLESS Steel - 2)         | <b>23</b> · Anti-friction ring (PTFE - 2) |
| <b>5</b> · Washer (STAINLESS Steel - 1)             | <b>13</b> · Seeger ring (STAINLESS Steel - 1) | <b>24</b> · Disk O-Ring (EPDM or FPM - 2) |
| <b>6</b> · Flange (PP-GR - 1)                       | <b>14</b> · Stem (STAINLESS steel 316 - 1)    | <b>25</b> · Disk (PP-H - 1)               |
| <b>7</b> · Screw (STAINLESS Steel - 2)              | <b>15</b> · Bush O-Ring (EPDM or FPM - 2)     | <b>26</b> · Liner (EPDM o FPM - 1)        |
| <b>8</b> · Tag holder (PVC - 1)                     | <b>16</b> · Bush (Nylon - 1)                  | <b>27</b> · Inserts (ABS - 4-8)           |
|   | <b>17</b> · Stem O-Ring (EPDM or FPM - 1)     | <b>28</b> · Plug (PE - 2)                 |
|   | <b>18</b> · Stem O-Ring (EPDM or FPM - 1)     |   |
|   | <b>19</b> · Body (PP-GR - 1)                  |   |

The material of the component and the quantity supplied are indicated in brackets.

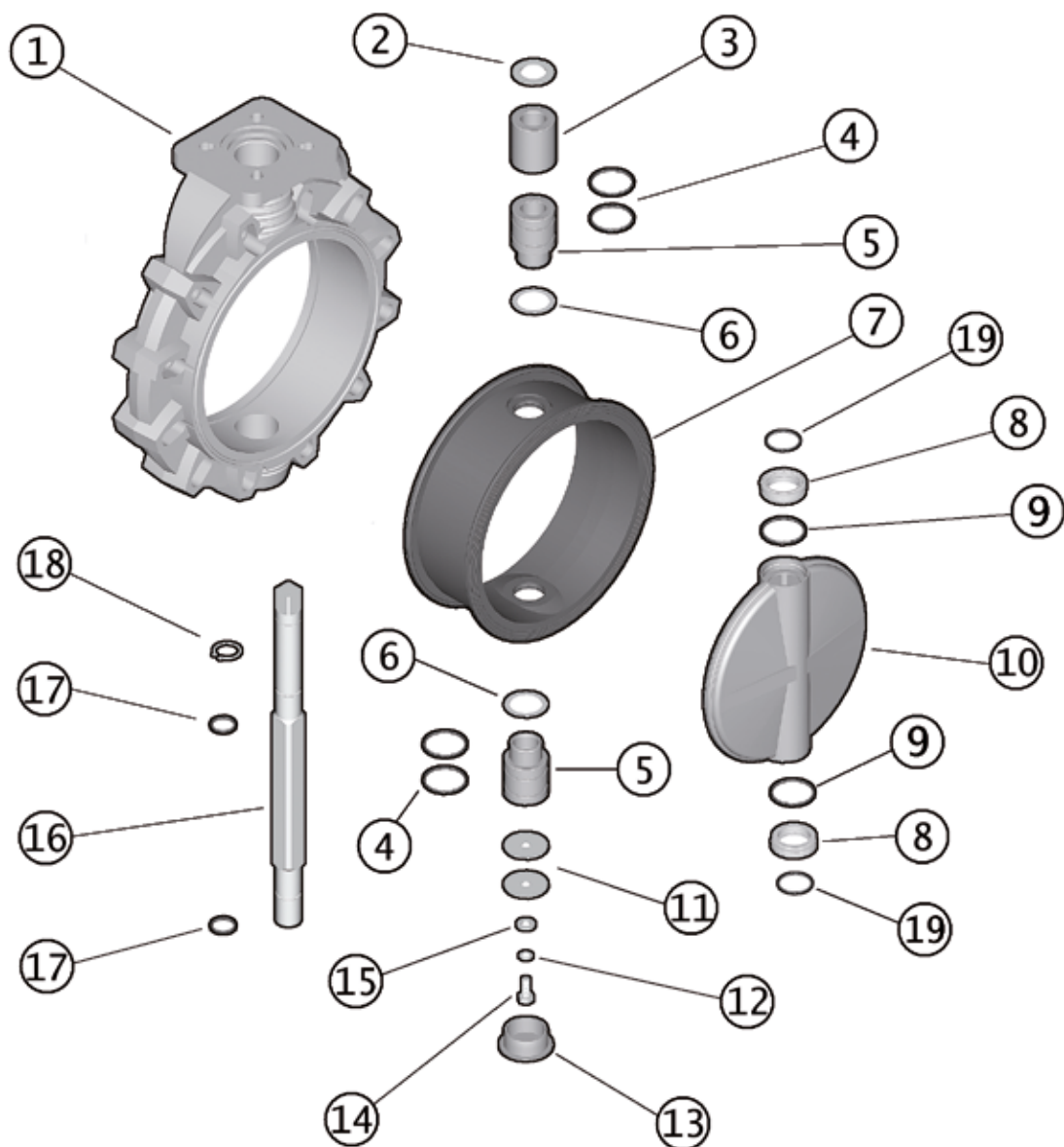
## EXPLODED VIEW DN 65÷200



- |   |   |   |
|---|---|---|
| <b>1</b> · Position indicator (PA - 1)              | <b>9</b> · O-Ring (NBR - 1)                   | <b>20</b> · Protection plug (PE - 1)      |
| <b>2</b> · Handle (HIPVC - 1)                       | <b>10</b> · Plate (PP-GR - 1)                 | <b>21</b> · Screw (STAINLESS Steel - 1)   |
| <b>3a/b</b> · Transparent protection plug (PVC - 1) | <b>11</b> · Washer (STAINLESS Steel - 2)      | <b>22</b> · Washer (STAINLESS steel - 1)  |
| <b>4</b> · Fastening screw (STAINLESS Steel - 1)    | <b>12</b> · Nut (STAINLESS Steel - 2)         | <b>23</b> · Anti-friction ring (PTFE - 2) |
| <b>5</b> · Washer (STAINLESS Steel - 1)             | <b>13</b> · Seeger ring (STAINLESS Steel - 1) | <b>24</b> · Disk O-Ring (EPDM or FPM - 2) |
| <b>6</b> · Flange (PP-GR - 1)                       | <b>14</b> · Stem (STAINLESS steel 316 - 1)    | <b>25</b> · Disk (PP-H - 1)               |
| <b>7</b> · Screw (STAINLESS Steel - 2)              | <b>15</b> · Bush O-Ring (EPDM or FPM - 2)     | <b>26</b> · Liner (EPDM o FPM - 1)        |
| <b>8</b> · Tag holder (PVC - 1)                     | <b>16</b> · Bush (Nylon - 1)                  | <b>27</b> · Inserts (ABS - 4-8)           |
|   | <b>17</b> · Stem O-Ring (EPDM or FPM - 1)     | <b>28</b> · Plug (PE - 2)                 |
|   | <b>18</b> · Stem O-Ring (EPDM or FPM - 1)     |   |
|   | <b>19</b> · Body (PP-GR - 1)                  |   |

The material of the component and the quantity supplied are indicated in brackets.

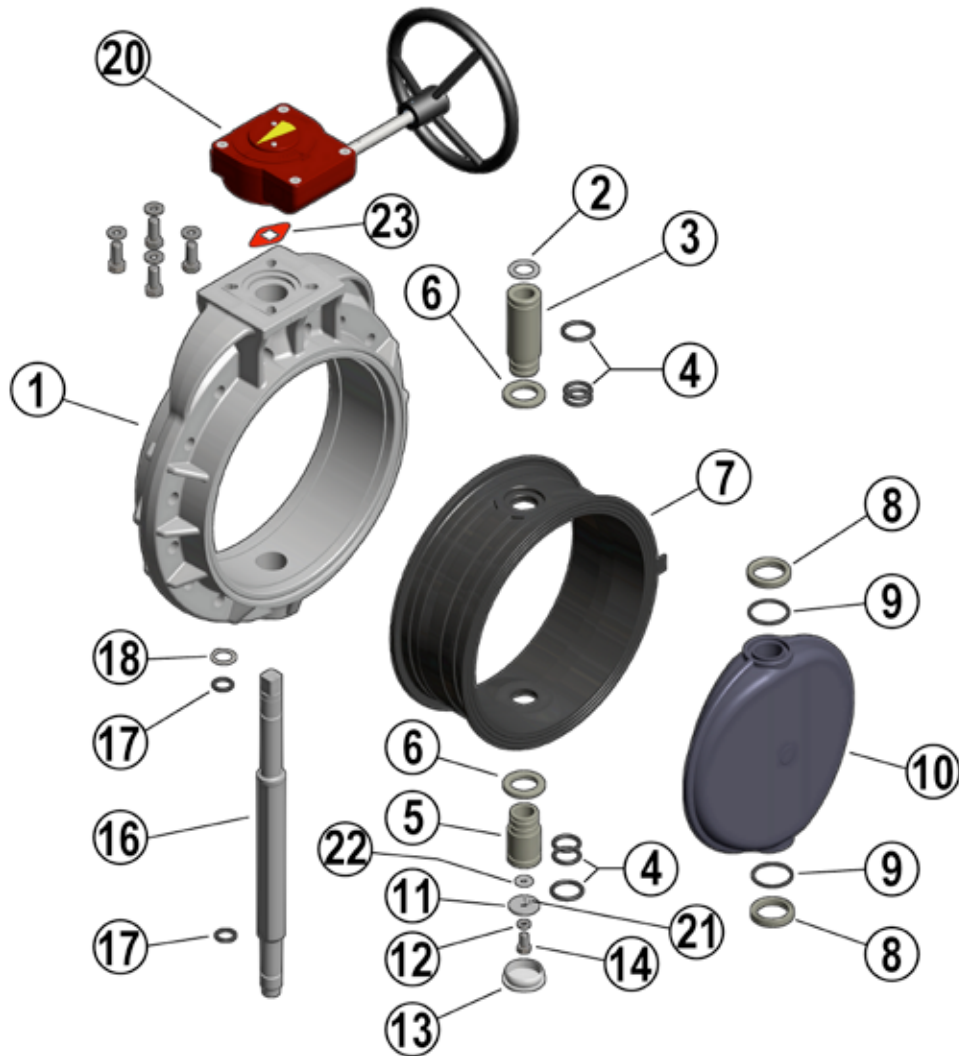
## EXPLODED VIEW DN 250÷300



- |                                   |                                   |  |
|-----------------------------------|-----------------------------------|--|
| 1 · Body (PP-GR - 1)              | 8 · Anti-friction ring (PTFE - 2) | 16 · Stem (STAINLESS steel 316 - 1)    |
| 2 · Washer (STAINLESS Steel - 1)  | 9 · Disk O-Ring (EPDM or FPM - 2) | 17 · Stem O-Ring (EPDM or FPM - 2)     |
| 3 · Bush (PP - 1)                 | 10 · Disk (PP-H - 1)              | 18 · Seeger ring (STAINLESS steel - 1) |
| 4 · Bush O-Ring (EPDM or FPM - 4) | 11 · Washer (STAINLESS Steel - 2) | 19 · O-Ring (EPDM or FPM - 2)          |
| 5 · Bush (PP - 2)                 | 12 · Washer (STAINLESS Steel - 1) |  |
| 6 · Washer (PTFE - 2)             | 13 · Protection plug (PE - 1)     |  |
| 7 · Liner (EPDM or FPM - 1)       | 14 · Screw (STAINLESS Steel - 1)  |  |
|                                   | 15 · Washer (STAINLESS Steel - 1) |  |

The material of the component and the quantity supplied are indicated in brackets.

## EXPLODED VIEW DN 350÷400



- |                                   |                                     |  |
|-----------------------------------|-------------------------------------|--|
| 1 • Body (PP-GR - 1)              | 9 • Disk O-Ring (EPDM or FPM - 2)   | 18 • Seeger ring (STAINLESS steel - 1) |
| 2 • Washer (STAINLESS Steel - 1)  | 10 • Disk (PP-H - 1)                | 20 • Gearbox (Al, Steel - 1)           |
| 3 • Bush (PP-H - 1)               | 11 • Washer (STAINLESS Steel - 1)   | 21 • Pin (STAINLESS steel - 2)         |
| 4 • Bush O-Ring (EPDM or FPM - 6) | 12 • Washer (STAINLESS Steel - 1)   | 22 • Washer (STAINLESS steel - 1)      |
| 5 • Bush (PP-H - 1)               | 13 • Protection plug (PE - 1)       | 23 • Position indicator (PA - 1)       |
| 6 • Washer (PP-H - 2)             | 14 • Screw (STAINLESS Steel - 1)    |  |
| 7 • Liner (EPDM or FPM - 1)       | 16 • Stem (STAINLESS steel 316 - 1) |  |
| 8 • Anti-friction ring (PTFE - 2) | 17 • Stem O-Ring (EPDM or FPM - 2)  |  |

The material of the component and the quantity supplied are indicated in brackets.



## DISMOUNTING

### DN 40÷200

- 1) Remove the LCE module consisting of the rigid transparent PVC plug (3a-3b) and white tag holder (8) and remove screw (2) and washer (3) (fig.3).
- 2) Remove the handle (2).
- 3) Remove the screws (7) and plate (10) from the body (19).
- 4) Remove the protection plug (20) and screw (21) with the washer (22).
- 5) Extract the stem (14) and disk (25).
- 6) Remove the anti-friction rings (23) and (DN 65÷200 only) O-Rings (24).
- 7) Remove the liner (26) from the body (19).
- 8) Remove the Seeger ring (13) and (DN 65÷200 only) guide bush (16).
- 9) Remove (DN 65÷200 only) the O-Rings (15) and (17, 18).

### DN 250÷300

- 1) Remove the protection plug (13) and screw (14) with the washers (11-15).
- 2) Extract the stem (16) and disk (10).
- 3) Remove the seal (7) from the body (1).
- 4) Remove the Seeger ring (18) and guide bushes (5-3) with washer (2).
- 5) Extract the lower bush (5).
- 6) Remove O-Rings (4) and (17).

### DN 350÷400

1. Remove the position indicator (23) from the stem (16)
2. Remove the protection plug (13) from the body (1)
3. Remove the screw (14) and the washers (11) and (22)
4. Extract the stem unit (16) from the disk
5. Extract the lower bush unit (5) from the lower part of the body (1)
6. Remove the disk unit (10) from the body (1)

## ASSEMBLY

### DN 40÷200

- 1) Place the liner (26) on the body (19).
- 2) Insert the O-Rings (17) and (18) on the stem (14).
- 3) Insert the O-Rings (15) on the guide bush (16) and the bush on the stem. Lock the bush using the Seeger ring (13).
- 4) Position the O-Rings (24) and then the anti-friction rings (23) on the disk (25) and the disk inside the body, after having lubricated the liner (26).
- 5) Insert the through stem (14) in the body (19) and disk (25).
- 6) Tighten screw (21) with washer (22) and insert the protection plug (20).
- 7) Position the plate (10) on the body (19) and tighten screws (7).
- 8) Position the handle (2) on the stem (14).
- 9) Tighten screw (4) with washer (5) and replace the LCE module consisting of the rigid transparent PVC plug (3a-3b) and white tag holder (8).

### DN 250÷300

- 1) Place the liner (7) on the body (1).
- 2) Insert the O-Rings (4) and washer (6) on bushes (5).
- 3) Insert the O-Rings (17) on the stem (16); insert the upper bush (5), bush (3), washer (2) on the stem and fix them with Seeger ring (18).
- 4) Insert the seals (19-9) on the anti-friction rings (8).
- 5) Position the washers (8) in the housings on the disk (10), and the disk inside the body (1) after having lubricated the liner (7).
- 6) Insert the through stem (16) in the body and disk.
- 7) Position the lower bush (5) from below.
- 8) Tighten screws (14) with washers (11-15) and insert the protection plug (13).

### DN 350÷400

1. Insert the lower bush (5) complete with O-rings (4) on the body (1), subsequently inserting the gland packing washer (6) between the bush and the body.
2. Insert the second gland packing washer (6) on the liner (7) and fit these inside the body (1)
3. Insert the O-rings (9) and anti-friction rings (8) on the disks (10)

4. Lubricate the disk (10) and insert it into the liner (7)
5. Insert the upper bush complete with O-rings (3 + 4) on the stem (16) joined to the O-rings (17); insert the washer (2) above the upper bush (3) and insert Seeger ring (18) in the appropriate housing on the stem (16). Insert this unit in the body's upper hole (1)
6. Overlap washer (22) on washer (11) equipped with pins (21), and insert this unit on the lower part of the stem (16), fastening it with screw (14) and locking washer (12)
7. Insert the protection plug (13) on the body (1)
8. Insert the position indicator (23) on the upper part of the stem (16)



**Note:** during assembly operations, it is advisable to lubricate the rubber seals. Mineral oils are not recommended for this task as they react aggressively with EPDM rubber.

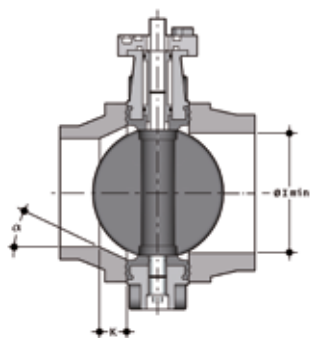
Fig. 3





# INSTALLATION

## JOINTS



Before proceeding with the installation of the stubs, check that the bore of the fittings has sufficient clearance to allow the valve disk to open correctly. Also check the maximum coupling distance for the liner. Before proceeding with the installation of the FK valve, check that the bore of the stub allows the correct opening of the disk.

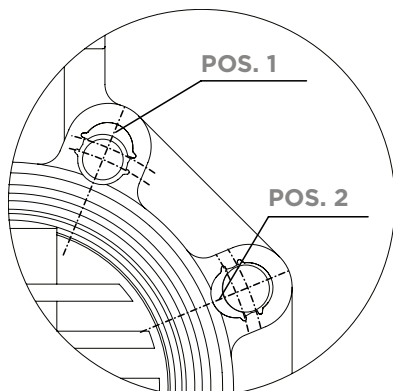
DN	l min.
40	25
50	28
65	47
80	64
100	84
125	108
150	134
200	187
250	225
300	280
350	324
400	362

For the installation of PP-PE stubs, for butt welding a short spigot or electrofusion/butt welding a long spigot, check the valve-stub-flange couplings and the K - a chamfer dimensions where necessary according to the different SDR's in the following table.

	d	50	63	75	90	110	125	140	160	180	200	225	250	280	315	355	400	
	DN	40	50	65	80	100	100	125	150	150	200	200	250	250	300	350	400	
FK valve	50	40																
	63	50																
	75	65																
	90	80																
	110	100																
	140	125																
	160	150																
	225	200																
	280	250																
	315	300																
	355	350																
	400	400																
	SDR	17/17.6										k=26.5 a=20°		k=15.7 a=25°		k=13.3 a=25°	k=45 a=25°	k=55 a=25°
		11								k=35 a=20°		k=35 a=25°	k=40 a=15°	k=32.5 a=25°	k=35 a=25°	k=34.5 a=25°	k=55 a=25°	k=80 a=25°
7.4					k=10 a=35°	k=15 a=35°		k=20 a=30°	k=35 a=20°	k=15 a=35°	k=40 a=20°	k=35 a=30°	k=55 a=30°	k=35 a=30°	k=65 a=30°			
33																k=17 a=30°	k=25 a=35°	

Short/long spigot stubs according to EN ISO 15494 and DIN 16962/16963 and flange

## POSITIONING THE INSERTS



Place the inserts in the holes according to the positions indicated in the table, from the side corresponding to the letters D and DN in order to facilitate the insertion of the stud-bolts and the coupling with the flanges (DN 40 ÷ 200). The self-centring inserts must be inserted in the guides in the slots in the valve body on the side with the writing, with the writing facing upwards, and positioned according to the type of flange drilling, as indicated in the following table:

DN	DIN 2501 PN6, EN 1092-1, BS 4504 PN6, DIN 8063 PN6	DIN 2501 PN10/16, EN 1092-1, BS 4504 PN 10/16, DIN 8063 PN 10/16, EN ISO 15493, EN ISO 1452	BS 10 table A-D-E Spec D-E	BS 1560 cl.150, ANSI B16.5 cl.150 *	JIS B 2220 K5	JIS 2211 K10**
DN 40	Pos. 1	Pos. 2	Pos. 1	Pos. 1	Pos. 1	-
DN 50	Pos. 1	Pos. 2	Pos. 1	-	N/A	-
DN 65	Pos. 1	Pos. 2	Pos. 1	Pos. 2	Pos. 1	Pos. 2
DN 80	Pos. 1	Pos. 2	Pos. 1	Pos. 2	Pos. 1	Pos. 1
DN 100	Pos. 1	Pos. 2	Pos. 1	Pos. 2	Pos. 1	Pos. 1
DN 125	Pos. 1	Pos. 2	Pos. 1	Pos. 2	Pos. 1	-
DN 150	Pos. 1	Pos. 2	Pos. 1	Pos. 2	Pos. 1	Pos. 2
DN 200	Pos. 1	PN 10 Pos. 2	Pos. 2	Pos. 2	Pos. 1	N/A

\* DN 50 without inserts  
\*\* DN 40, 50, 125 without inserts

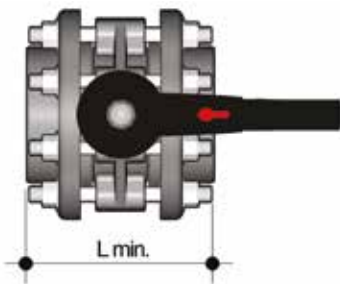
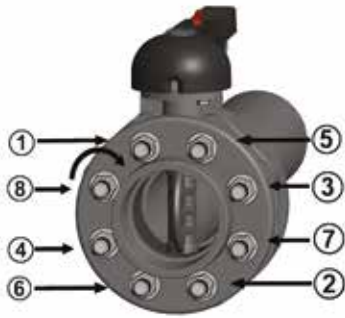
## POSITIONING THE VALVE

Position the valve between two flanged stubs, taking care to respect the installation tolerances Z. It is advisable to always install the valve with the disk partially closed (it must not exit the body) and avoid any misalignment of the flanges, as this would cause leaks.

Where possible comply with the following requirements:

- Conveying dirty fluids: position the valve with the stem inclined at an angle of 45° to the pipe support plane.
- Conveying fluids with sediment: position the valve with the stem parallel to the pipe support plane.
- Conveying clean fluids: position the valve with the stem perpendicular to the pipe support plane.

## TIGHTENING THE STUD-BOLTS



Before tightening the stud-bolts, it is advisable to open the disk in order to prevent damage to the seal. Tighten the stud-bolts in a uniform manner, in the order indicated in the figure, to the nominal operating torque value indicated in the table. The stud-bolts do not need to be excessively tightened in order to produce a perfect hydraulic seal. Overtightening could adversely affect the operating torque of the valve.

DN	L min.	*Nm
40	M16x150	9
50	M16x150	12
65	M16x170	15
80	M16x180	18
100	M16x180	20
125	M16x210	35
150	M20x240	40
200	M20x260	55
250	M20x310	70
300	M20x340	70
350	M20x360	75
400	M24x420	75

\* Tightening torques for nuts and bolts on couplings with backing rings. Values required to obtain the hydraulic test seal (1.5xPN at 20°C) (new or lubricated nuts and bolts)

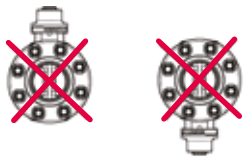
## HANDLE LOCK



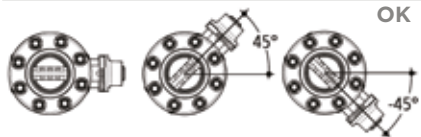
Thanks to the multifunctional handle and the red manoeuvre button on the lever, you can perform a 0°-90° operation and a graduated operation by means of the 10 intermediate positions and a stop lock: the handle can be locked in each of the 10 positions by simply pressing the Free-lock button. A lock can also be installed on the handle to protect the system against tampering.

The valve is two-way and can be installed in any position. It can also be installed at end line or tank.

## WARNINGS



(NO)



OK

Make sure that the valves installed on the system are suitably supported for their weight.

Always avoid sudden closing manoeuvres and protect the valve from accidental operations. To this end, it is advisable to install a reduction gear, available on request.

In the case of conveying dirty fluids or those with sediments, install the valve inclined as shown in the figure.



**Aliaxis**  
UTILITIES & INDUSTRY

**FIP - Formatura Iniezione Polimeri**

Loc. Pian di Parata, 16015 Casella Genova Italy

Tel. +39 010 9621.1

Fax +39 010 9621.209

info.fip@aliaxis.com

[www.fipnet.com](http://www.fipnet.com)



Code LEVARAP 01/2017

