

TLBCV23 – Teflon™ Lined Ball Check Valve

Description

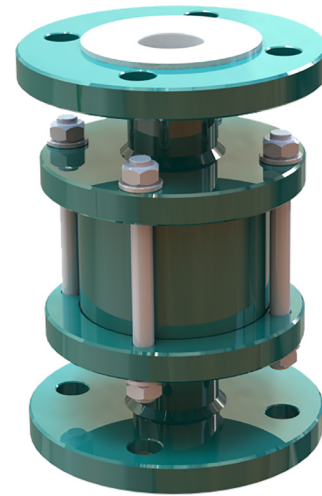
Full bore Teflon™ lined ball check valve with flanged ends and 3-piece body, for corrosive applications.

Product features

- Size range DN 15 – 100
- Flange rating PN 10/16
- Face to face dimension DIN 3202-F1 / EN 558-1
- Max. working pressure max. 16 bar
- Temperature range -50 °C to 180 °C
- Antistatic version available as option

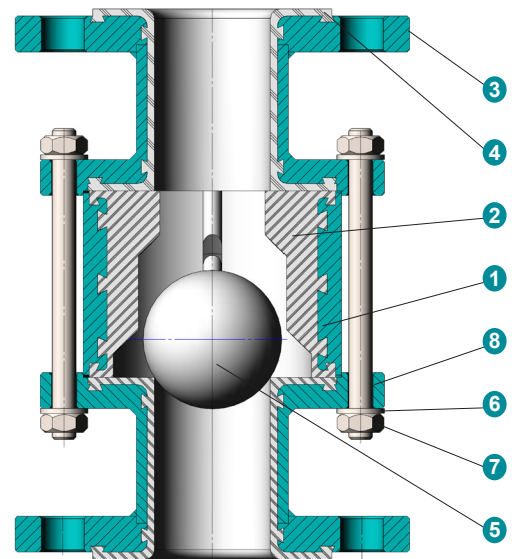


The ball check valves TLBCV23 meet the safety requirements of the PED 2014/68/EU and with antistatic lining as well the ATEX 2014/34/EU

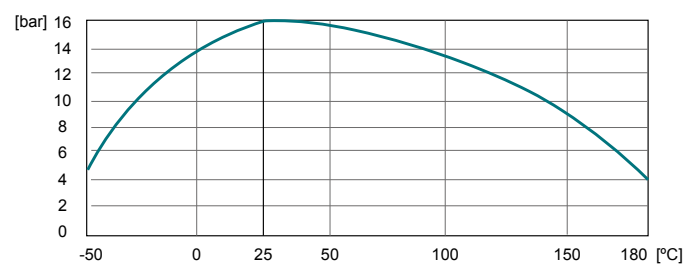


Construction

Item	Description	Material
1	Body	Carbon steel 1.0037 / St 37, Epoxy coated
2	Body lining	PFA / PFA antistatic
3	Flange end pieces	Carbon steel 1.0037 / St 37, Epoxy coated
4	Lining of flanges	PFA / PFA antistatic
5	Ball	PTFE / PTFE antistatic
6-8	Body bolting	Stainless steel A2-70



Pressure- / temperature diagram



TLBCV23 – Teflon™ Lined Ball Check Valve

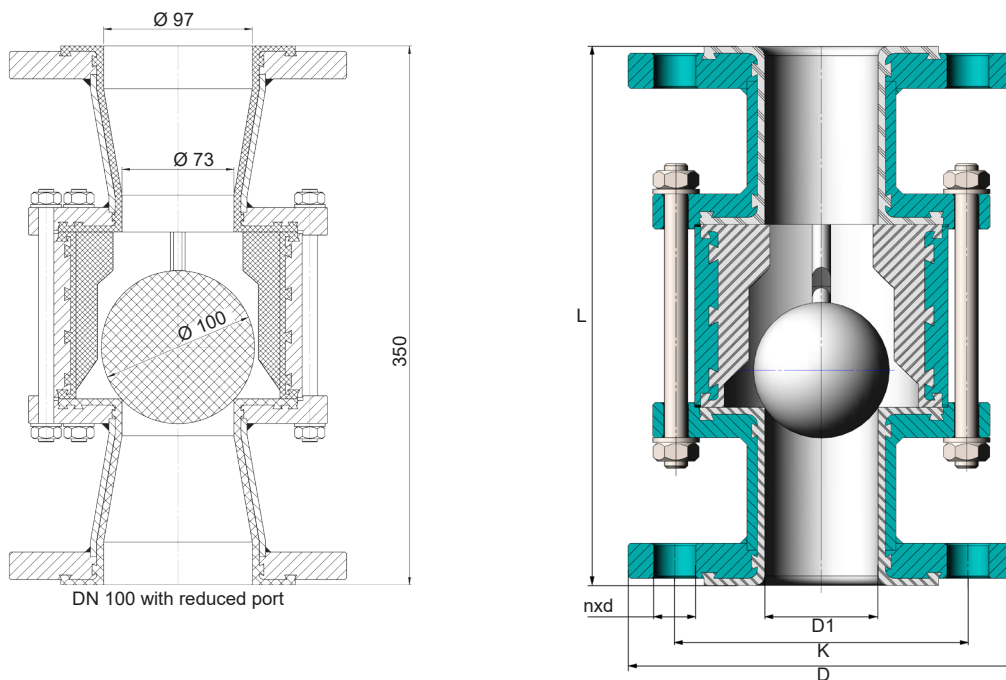
Type code

TLBCV 23 F F . 025 . 3 3 - 3CT . 00T

① ② ③ ④ ⑤ ⑥ ⑦ ⑧ ⑨

① Type	TLBCV	Teflon™ Lined Ball Check Valve	
② Construction	23	2/2 ways, 3-piece body	
③ Bore	F	Full bore	DN 15 - 80
	R	Reduced port: standard on DN 100; full port on request	DN 100
④ Face to face	F	DIN 3202-F1 / EN 558-1 (long)	
⑤ Size	015-100	DN 15 - 100 mm (½" - 4")	
⑥ Working pressure	3	16 bar	
⑦ Flange connection	3	PN 10/16	
	A	ANSI 150	
⑧ Material body	3CT	Carbon steel 1.0037 / St 37 PFA lined	
	3CA	Carbon steel 1.0037 / St 37 PFA antistatic lined (black) (no FDA and EC 1935/2004 compliance)	
⑨ Material ball	00T	PTFE	
	00A	PTFE antistatic (black)	

Dimensions



DN	D	K	n x d	D1	L	kv [m3/h]	[kg]
15	95	65	4 x 14	13	130	17.5	1.9
20	105	75	4 x 14	18	150	31	2.9
25	115	85	4 x 14	24	160	75	4.0
32	140	100	4 x 18	32	180	155	6.0
40	150	110	4 x 18	38	200	200	8.4
50	165	125	4 x 18	48	230	310	11.2
65	185	145	4 x 18	62	290	500	15.0
80	200	160	8 x 18	76	310	800	20.5
100	220	180	8 x 18	96	350	1250	29.0