

## Description

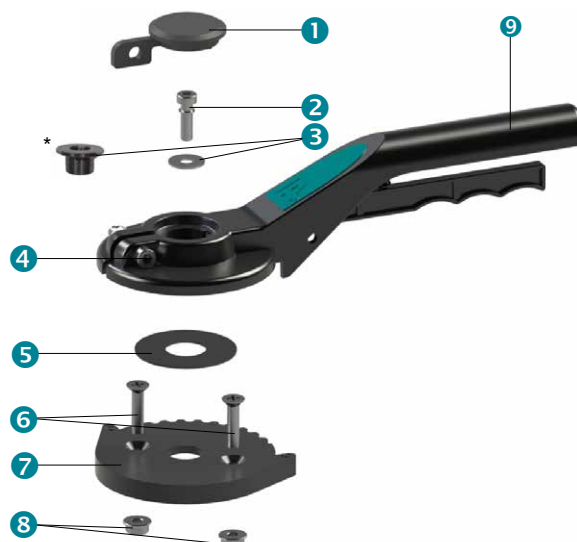
Aluminium handlever epoxy coated.



## Construction

1	Cap	Plastic ABS
2	Screw with captive washer	Stainless steel A2-70
3	Washer / Extension*	Stainless steel A2-70
4	Screw	Stainless steel A2-70
5	Antifriction washer stuck to handle	Nylon
6	Screws	Stainless steel A2-70
7	Notch plate	Aluminium
8	Nuts	Stainless steel A2-70
9	Handlever	Aluminium

\*For Desponia plus the washer is replaced for an extension.

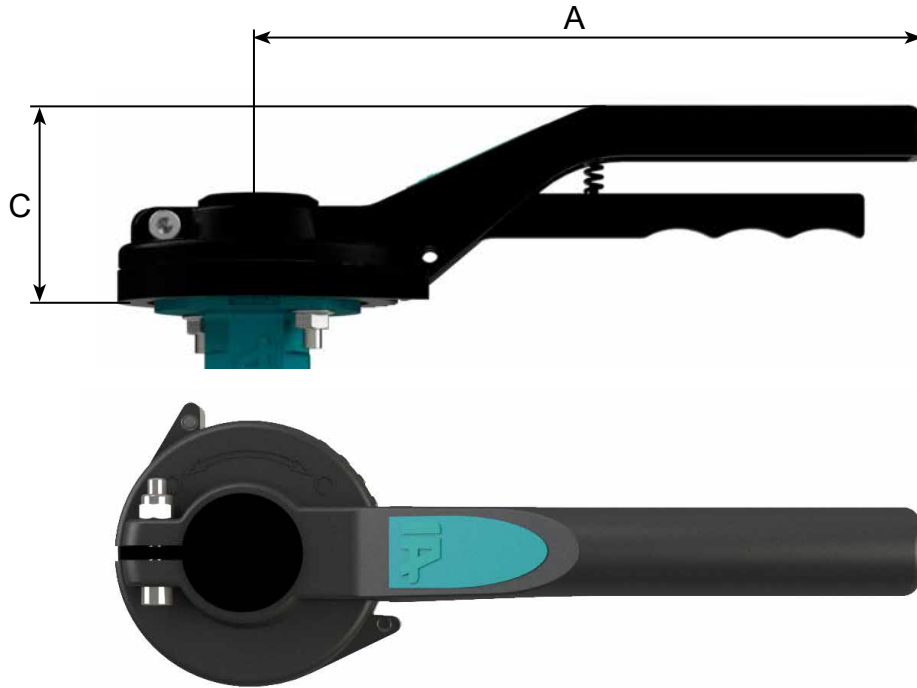


## Type code

HLA . F07 08 . 210-C1 - x  
 ① ② ③ ④ ⑤

① Actuator type	HLA	Aluminium hand lever
② Mounting face for valve	F05 - F07	according to EN ISO5211
③ Shaft square	[mm]	Dimension of shaft connection
④ Handlever length	[mm]	210-C1//340-C1
⑤ Special execution	YELLOW	Standard colour black, yellow colour for gas application

## Dimensions



Handlever type	A [mm]	C [mm]	[kg]*
HLA.F0508.210-C1	210	56	0,4
HLA.F0511.210-C1	210	56	0,4
HLA.F0708.210-C1	210	56	0,4
HLA.F0711.210-C1	210	56	0,4
HLA.F0711.340-C1	340	66	0,7
HLA.F0714.340-C1	340	66	0,7
HLA.F0717.340-C1	340	66	0,7

\* [kg] weight without butterfly valve