



KINGSTON

Manufacturing reliable industrial valves for industry since 1908.

305B

Control Valve

Model 305B

Kingston Quick Opening Industrial Control Valve



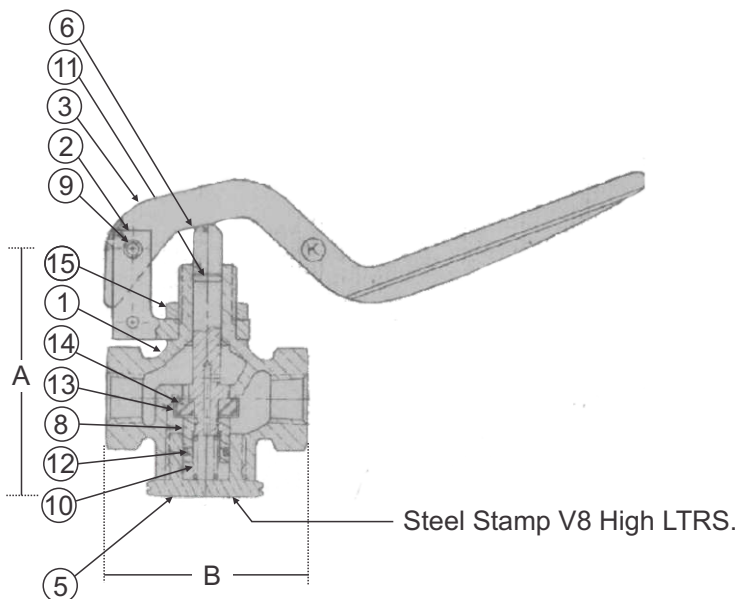
Features

- For Air and Liquid Service
- Widely Used for Agricultural Spraying, Car Wash Systems, High Pressure Washers, Liquid Transfer, Air and Liquid Control Application
- Best Selection when Actuator Air Pressure is Low
- Available in 1/4" through 1-1/4" NPT
- Maximum Working Pressure is 400 WOG
- Alternative Seals Available
- Alternative Disc, Lever and Cap Options May Be Available. Please Call for Details

Model	Inlet Size	Outlet Size	Dimensions (inches)		Pressure Range (PSIG)	Approx. Shipping Wt.	Max. Temp (°F)
			Height (A)	Width (B)			
305B	1/4" NPT	1/4" NPT	2-21/32"	2-3/16"	10-400	11 oz.	200°F
	3/8" NPT	3/8" NPT	1-19/32"			14 oz.	
	1/2" NPT	1/2" NPT	3-7/8"	1 lb.			
	3/4" NPT	3/4" NPT	4-1/4"	10 oz.			
	1" NPT	1" NPT	4-13/16"	1 lb. 10 oz.			
	1-1/4" NPT	1-1/4" NPT	5-1/8"	1 lb. 6 oz.			
				3"		1 lb. 14 oz.	
				3-1/8"		2 lb. 6 oz.	
				4"		3 lb. 15 oz.	
						4 lb. 4 oz.	
						3 lb. 11 oz.	
						4 lb. 4 oz.	

Materials

No.	Part Name	Materials
1	Body	Brass
2	Bracket	Infiltrated Iron
3	Lever (Squeeze)	Infiltrated Iron
4	Lever (Pull)	Brass
5	Cap	Brass
6	Stem	Brass
8	Plunger	Brass
9	Roll Pin	Carbon Steel
10	Spring	Stainless Steel
11	"O" Ring (Stem)	Buna "N"
12	"O" Ring (Plunger)	Buna "N"
13	Cage	Brass
14	Disc (Cage)	Buna "N"
15	Lock Nut	Brass



Kingston Model 305B Quick Opening Industrial Control Valve

Flow Capacity Information

Fig. 305B - 3/4"

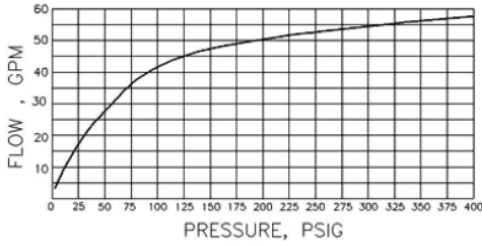


Fig. 305B - 1/4" & 3/8"

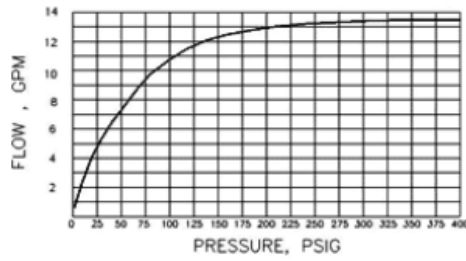


Fig. 305B - 1/2"

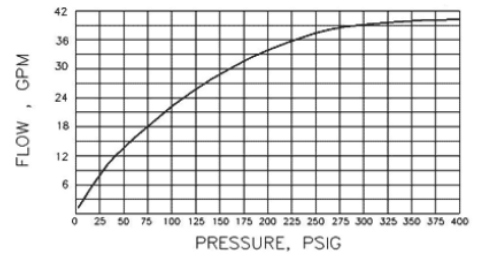
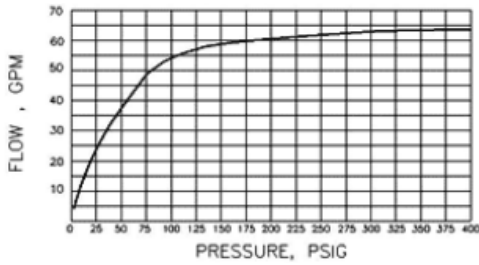


Fig. 305B - 1" & 1-1/4"



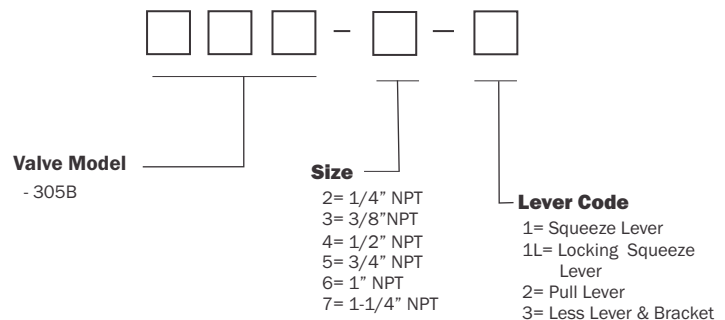
Product Notes

Storm Manufacturing reserves all rights. Product specifications and designs are subject to change without notice.

The information contained herein by Storm Manufacturing Group (SMG) is provided in good faith and as a product guide only. Further, SMG makes no representation as to the completeness or accuracy of the information contained herein. Any person or persons using the information contained herein must exercise their own judgement and consider all local, regional, nation and global safety standards in evaluating valve selection options. Final application design and integration of Kingston Products are the sole responsibility of the end user.

Ordering Information

Kingston Air Actuators (305B) Part Number Codes



www.KingstonValves.com
KINGSTON