

Model KMBV

Kingston Mini Ball Valves

FEATURES

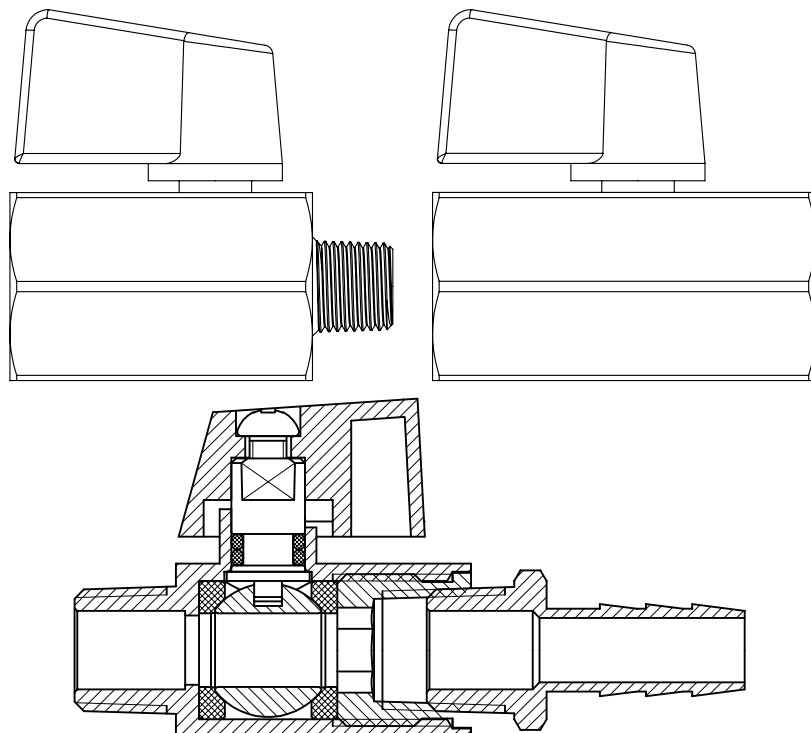
- Chrome Plated Ball
- Full Port Design
- For Use with Air, Water, Oil or Inert Gases
- Maximum Operating Pressure is 400 W.O.G.
- Maximum Temperature is 400 °F
- Female to Female NPT Fitting
- Male to Female NPT Fitting
- Male to Hose barb fitting



Model	Inlet Size	Dimensions (Inches)		Max. Pressure (WOG)	Max. Temp (°F)
		Hex Size (in)	Height (in)		
KMBVM-1	1/8" MxF	0.740	1.445±.06	400	400°F
KMBVM-2	1/4" MxF	0.748	1.449±.06		
KMBVM-3R	3/8" MxF	0.807	1.498±.06		
KMBVM-4	1/2" MxF	0.945	1.665±.06		
KMBVF-1	1/8" FxF	0.740	1.445±.06		
KMBVF-2	1/4" FxF	0.748	1.449±.06		
KMBVF-3	3/8" FxF	0.787	1.498±.06		
KMBVF-4	1/2" FxF	0.945	1.665±.06		

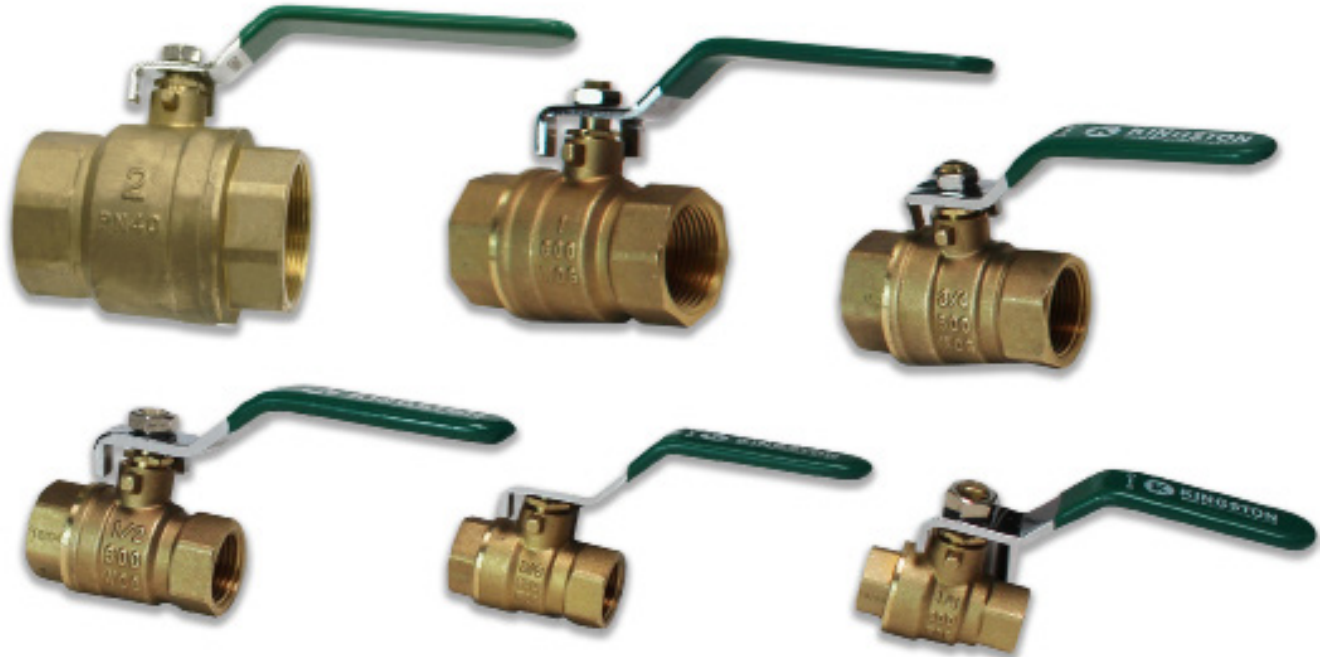
*Special Configurations Available Upon Request

No.	Part Name	Materials
1	Body	Chrome Plated Brass
2	Seat	Teflon
3	Ball	Chrome Plated Brass
4	Stem	Brass
5	Screw	Brass
6	Handle	Black Epoxy Painted Aluminum Handle
7	O-Ring	NBR



Model KBV

Kingston Ball Valves



FEATURES

- 600 WOG 150 WSP rating
- Full Port Design
- Female to Female NPT Ports
- For use with Air, Water, Oil or Inert Gases
- Available sizes: 1/4", 1/2", 3/4", 1", 1-1/4", 1-1/2", 2", NPT

Model	Inlet Size	Dimensions (Inches)		Max. Pressure (WOG)	Max. Temp (°F)
		Height (A)	Length (B)		
KBV-2	1/4" NPT	1-5/8"	1-3/4"	600	400°F
KBV-3	3/8" NPT				
KBV-4	1/2" NPT	1-55/64"	2-17/32"		
KBV-5	3/4" NPT	2-1/64"	2-1/64"		
KBV-6	1" NPT	2-29/64"	2-51/64"		
KBV-7	1-1/4" NPT	3-1/64"	3-1/32"		
KBV-8	1-1/2" NPT	3-17/32"	3-21/32"		
KBV-9	2" NPT	4-3/8"	4-21/64"		

No.	Part Name	Materials (KBV)
1	Body	Brass
2	Handle	Carbon Steel
3	Ball	Chrome Plated Brass
4	Seat	Teflon
5		

