

Micro Motion™ Compact Density Meter Remote Electronics

Reduce installation complexity when replacing legacy densitometers



OUR SOLUTION

Emerson's Micro Motion Compact Density Meter (CDM) with its' remote transmitter and short feedthrough cap assembly are designed to reduce installation complexity when replacing legacy 7835 and 7845 densitometers in narrow or tight installations. The CDM provides precision density and temperature for custody transfer and concentration measurement applications. The CDM also features simple system integration, health diagnostics, a combined temperature and pressure calibration over a wide range of conditions, and flow rate indication to help verify sample integrity.

RETROFIT FEATURES

The Compact Density Meter with remote transmitter and short feedthrough cap assembly is a cost-effective solution for replacing legacy 7835 and 7845 densitometers where pipework modifications are cost-prohibitive.

- Easy installation without modifying existing pipework
- Remote transmitter with 3m (10 ft) of cable length
- Available with stainless steel transmitter housing to withstand harsh environments



Compact Density Meter with remote transmitter delivers:

- Optional C22 measuring tubes for corrosion resistance
- Robust, 17025 accredited, multi-point density calibration
- Fluid velocity and volumetric flow indication
- KDV health diagnostic
- Local user interface
- Industry standard uncompensated Time Period Signal

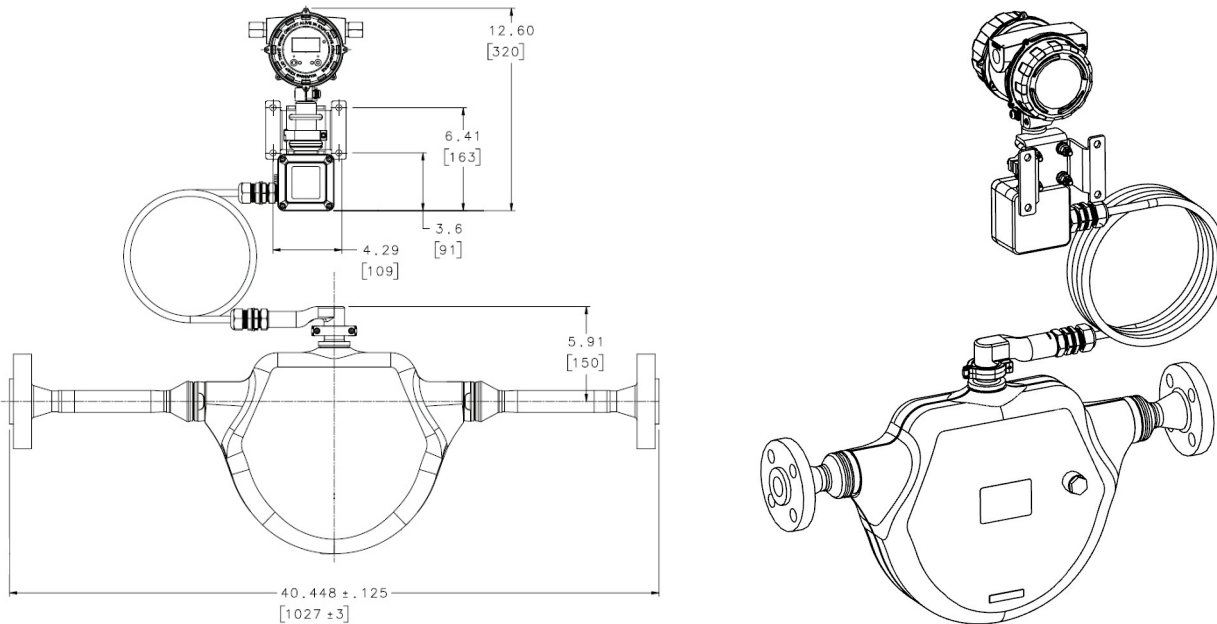
An accurate and reliable solution to reduce installation complexity.

MICRO MOTION™

©2020 Emerson. All rights reserved.


EMERSON™

Micro Motion™ Compact Density Meter Remote Electronics



CDM Remote Electronics Specifications:

Accuracy:	±0.1 kg/m ³ (±0.0001 g/cm ³)
Repeatability:	±0.02 kg/m ³ (±0.00002 g/cm ³)
Process Temperature:	-50°C to +204°C -58°C to +400°C)
Sensor Max Working Pressure:	Up to 250 bar-g (3625 psig) or flange limit
Wetted Materials:	316 Stainless Steel and/or Nickel Alloy C22
Certification:	ATEX II 2G Ex ib IIC T6...T1 Gb, CSA CUS C1 D1 Grps A, B, C, D
Cable Length:	3 meters (10 feet)
Wiring Feedthrough Dimension:	150 mm from pipe centerline

To learn more, visit us at: www.Emerson.com/MicroMotion

Emerson Automation Solutions

7070 Winchester Circle
Boulder, Colorado USA 80301
T: +1 800-522-6277
Mexico: +52 55 5809 5300
Argentina: +54 11 4809 2700
Brazil: +55 15 3413 8000
Chile: +56 2 2928 48 00
Peru: +51 15190130

Emerson Automation Solutions

Central Europe: +41 41 7686 111
Eastern Europe: +41 41 7686 111
Dubai: +971 4 811 8100
Abu Dhabi: +971 2 697 2000
Austria: +43 2236 607-0
France: 0800 917 901
Germany: +49 (0) 2173 3348 0
Italy: 8008 77334
The Netherlands: +31 318 495 555
Belgium: +32 2 716 77 11
Spain: 900 901 986
U.K.: 0870 240 1978
Russian/CIS: +7 495 995 9559

Emerson Automation Solutions

Australia: (61) 3 9721 0200
China: (86) 21 2892 9000
India: (91) 22 6662 0566
Japan: (81) 3 5769 6803
South Korea: (82) 31 8034 0000
Singapore: (65) 6 363 7766

MICRO MOTION™

MG-002501 Rev A 09/2020



©2020 Emerson. All rights reserved.