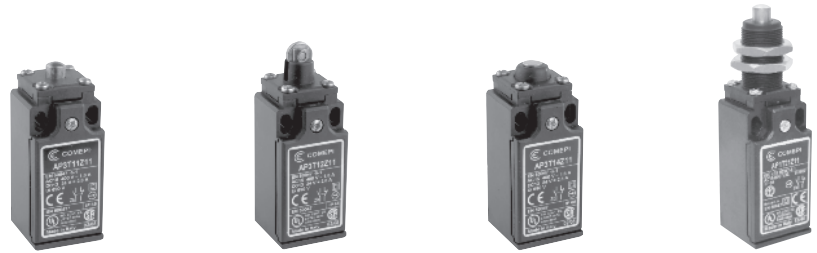


Electrical Connection

- AP1:** one cable inlet for PG 13,5 Cable Gland
- AP2:** one cable inlet by 1/2" NPT Plastic Adapter
- AP3:** one cable inlet for PG11 Cable Gland
- AP4:** one cable inlet for M16 x 1,5 Cable Gland
- AP5:** one cable inlet for M20 x 1,5 Cable Gland



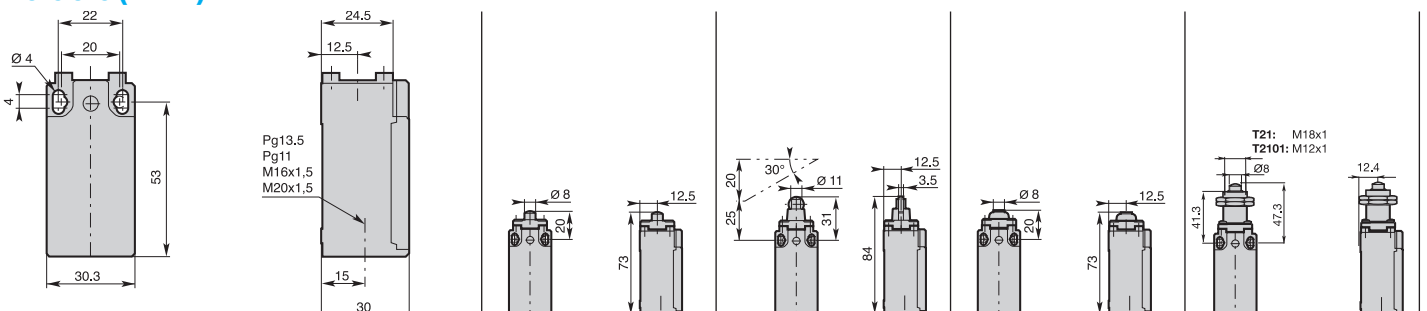
Operating Head Type

	T1• - Plain plunger T10: nylon plunger T11: metal plunger	T1• - Roller plunger T12: metal roller T13: nylon roller	T14 - Metal plunger with dust protection cup	T21 - Plain plunger with M18x1 fixing nuts T2101 - Plain plunger with M12x1 fixing nuts
Conformity / (N.C. contact with positive opening operation)	EN 50047	EN 50047	EN 50047	
Max actuation speed [m/s]	0,5	0,3	0,5	0,5
Min. force [N] or torque [Nm]: actuation / positive opening operation	15 / 30	12 / 30	15 / 30	15 / 30

Additional Technical Datas

	AP•T1•Z11	AP•T1•Z11	AP•T14Z11	AP•T21Z11
Z11 Snap Action Contacts (1NO + 1NC)				
X11 Non overlapping Slow Action Contacts (1NO + 1NC)				
Y11 Overlapping Slow Action Contacts (1NO + 1NC)				
W02 Slow Action Contacts (2NC)				
W20 Slow Action Contacts (2NO)				
Z02 Snap Action Contacts (2NC)				
X12P Non overlapping Slow Action Contacts (1NO + 2NC)				
X21P Non overlapping Slow Action Contacts (2NO + 1NC)				
W03P Slow Action Contacts (3NC)				
Weight (packing per unit) [kg]	0,070	0,075	0,070	0,080

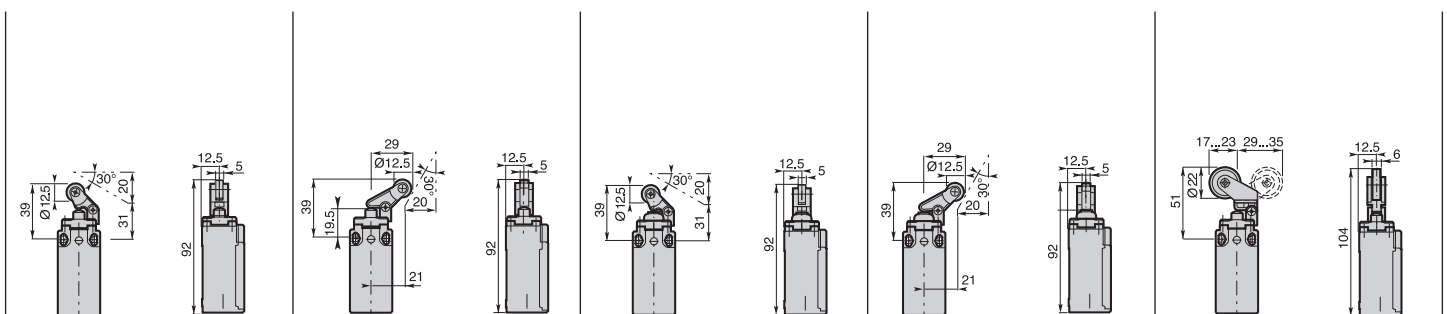
Dimensions (in mm)





T30 - Plastic roller lever T30: on plastic plunger T31: on metal plunger	T32 - Plastic roller lever T32: on metal plunger T34: on plastic plunger	T35 - Plastic roller lever on metal plunger with dust protection cup	T36 - Plastic roller lever on metal plunger with dust protection cup	T38 - Adjustable plastic roller lever on metal plunger T39 - Same as above with dust protection cup
EN 50047	EN 50047	EN 50047	EN 50047	EN 50047
1,0 7 / 24	1,0 7 / 24	1,0 7 / 24	1,0 7 / 24	1,0 7 / 24

AP•T3•Z11 0 4.9 9.0 14.5 21.0 mm 21-22 13-14 21-22 13-14	AP•T3•Z11 0 4.9 9.0 14.5 21.0 mm 21-22 13-14 21-22 13-14	AP•T35Z11 0 4.9 9.0 14.5 21.0 mm 21-22 13-14 21-22 13-14	AP•T36Z11 0 4.9 9.0 14.5 21.0 mm 21-22 13-14 21-22 13-14	AP•T3•Z11 0 8.8 15.0 23.2 32.0 mm 21-22 13-14 21-22 13-14
AP•T3•X11 0 6.0 10.5 21.0 mm 21-22 13-14 8.6	AP•T3•X11 0 6.0 10.5 21.0 mm 21-22 13-14 8.6	AP•T35X11 0 6.0 10.5 21.0 mm 21-22 13-14 8.6	AP•T36X11 0 6.0 10.5 21.0 mm 21-22 13-14 8.6	AP•T3•X11 0 10.6 18.5 32.0 mm 21-22 13-14 15.1
AP•T3•Y11 0 10.2 14.6 21.0 mm 21-22 13-14 5.4	AP•T3•Y11 0 10.2 14.6 21.0 mm 21-22 13-14 5.4	AP•T35Y11 0 10.2 14.6 21.0 mm 21-22 13-14 5.4	AP•T36Y11 0 10.2 14.6 21.0 mm 21-22 13-14 5.4	AP•T3•Y11 0 16.8 25.1 32.0 mm 21-22 13-14 9.4
AP•T3•W02 0 5.7 10.2 21.0 mm 11-12 21-22	AP•T3•W02 0 5.7 10.2 21.0 mm 11-12 21-22	AP•T35W02 0 5.7 10.2 21.0 mm 11-12 21-22	AP•T36W02 0 5.7 10.2 21.0 mm 11-12 21-22	AP•T3•W02 0 9.6 17.8 32.0 mm 11-12 21-22
AP•T3•W20 0 5.3 21.0 mm 13-14 23-24	AP•T3•W20 0 5.3 21.0 mm 13-14 23-24	AP•T35W20 0 5.3 21.0 mm 13-14 23-24	AP•T36W20 0 5.3 21.0 mm 13-14 23-24	AP•T3•W20 0 9.2 32.0 mm 13-14 23-24
AP•T3•Z02 0 5.1 8.6 13.1 21.0 mm 11-12 21-22 11-12 21-22	AP•T3•Z02 0 5.1 8.6 13.1 21.0 mm 11-12 21-22 11-12 21-22	AP•T35Z02 0 5.1 8.6 13.1 21.0 mm 11-12 21-22 11-12 21-22	AP•T36Z02 0 5.1 8.6 13.1 21.0 mm 11-12 21-22 11-12 21-22	AP•T3•Z02 0 8.8 14.6 22.8 32.0 mm 11-12 21-22 11-12 21-22
AP•T3•X12P 0 6.8 11.8 21.0 mm 21-22 13-14 10.7	AP•T3•X12P 0 6.8 11.8 21.0 mm 21-22 13-14 10.7	AP•T35X12P 0 6.8 11.8 21.0 mm 21-22 13-14 10.7	AP•T36X12P 0 6.8 11.8 21.0 mm 21-22 13-14 10.7	AP•T3•X12P 0 11.9 19.7 32.0 mm 21-22 13-14 18.7
AP•T3•X21P 0 6.8 11.8 21.0 mm 31-32 13-14 10.7	AP•T3•X21P 0 6.8 11.8 21.0 mm 31-32 13-14 10.7	AP•T35X21P 0 6.8 11.8 21.0 mm 31-32 13-14 10.7	AP•T36X21P 0 6.8 11.8 21.0 mm 31-32 13-14 10.7	AP•T3•X21P 0 11.9 19.7 32.0 mm 31-32 13-14 18.7
AP•T3•W03P 0 6.8 11.8 21.0 mm 11-12 21-22 10.7	AP•T3•W03P 0 6.8 11.8 21.0 mm 11-12 21-22 10.7	AP•T35W03P 0 6.8 11.8 21.0 mm 11-12 21-22 10.7	AP•T36W03P 0 6.8 11.8 21.0 mm 11-12 21-22 10.7	AP•T3•W03P 0 11.9 19.7 32.0 mm 11-12 21-22 18.7
0,075	0,080	0,075	0,080	0,080



Electrical Connection

- AP1:** one cable inlet for PG 13,5 Cable Gland
- AP2:** one cable inlet by 1/2" NPT Plastic Adapter
- AP3:** one cable inlet for PG11 Cable Gland
- AP4:** one cable inlet for M16 x 1,5 Cable Gland
- AP5:** one cable inlet for M20 x 1,5 Cable Gland



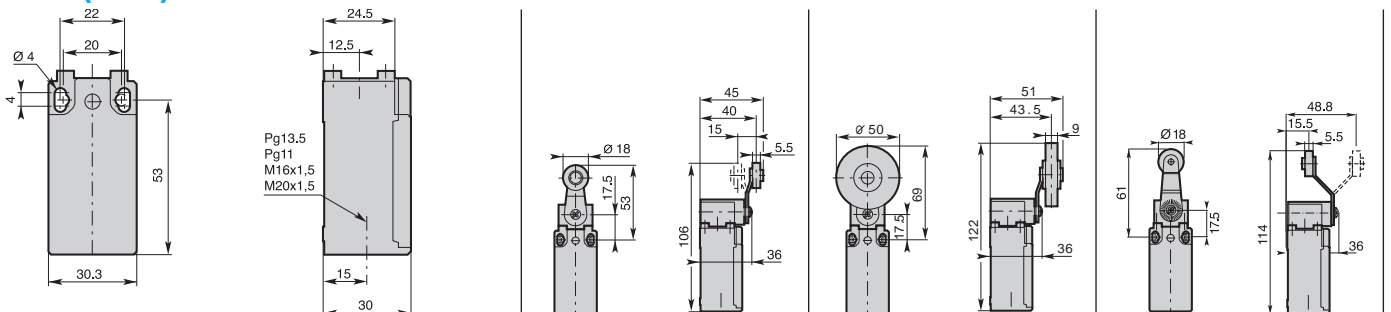
Operating Head Type

	T4• - Ø 18 roller lever T41: nylon roller T43: metal roller	T42 - Ø 50 rubber roller lever	T4• - Ø 18 roller lever T45: nylon roller T46: metal roller
Conformity / (N.C. contact with positive opening operation)	EN 50047		
Max actuation speed [m/s]	1,5	1,5	1,5
Min. force [N] or torque [Nm]: actuation / positive opening operation	0,10 / 0,32	0,10 / 0,32	0,10 / 0,32

Additional Technical Datas

		AP•T4•Z11	AP•T4Z211	AP•T4•Z11
Z11 Snap Action Contacts (1NO + 1NC)				
X11 Non overlapping Slow Action Contacts (1NO + 1NC)				
Y11 Overlapping Slow Action Contacts (1NO + 1NC)				
W02 Slow Action Contacts (2NC)				
W20 Slow Action Contacts (2NO)				
Z02 Snap Action Contacts (2NC)				
X12P Non overlapping Slow Action Contacts (1NO + 2NC)				
X21P Non overlapping Slow Action Contacts (2NO + 1NC)				
W03P Slow Action Contacts (3NC)				
Weight (packing per unit)	[kg]	0,095	0,115	0,095

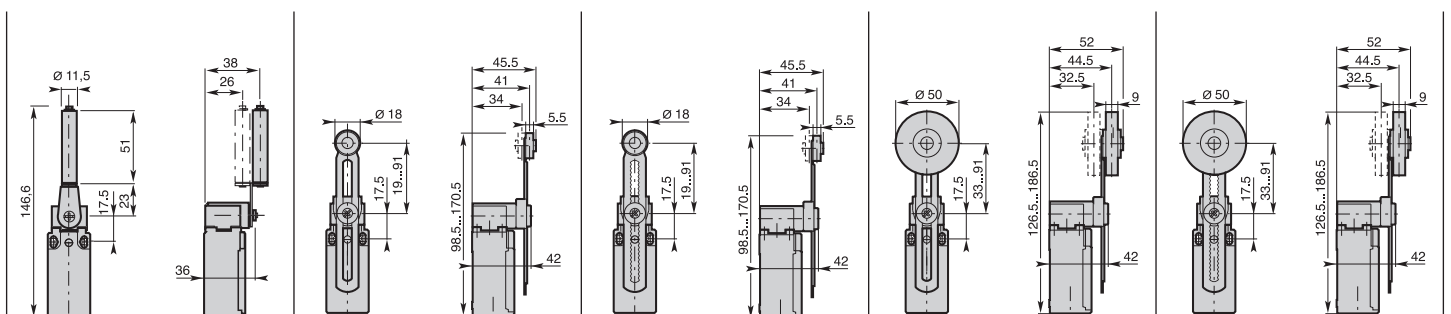
Dimensions (in mm)





T48 - Ceramic rod lever	T5 - Adjustable lever with Ø 18 roller T51: nylon roller T53: metal roller	T5100 - Adjustable toothed lever (step 2 mm) with Ø 18 nylon roller	T52 - Adjustable lever with Ø 50 rubber roller	T5200 - Adjustable toothed lever (step 2 mm) with Ø 50 rubber roller
1,5 0,10 / 0,32	1,5 0,10 / 0,32	1,5 0,10 / 0,32	1,5 0,10 / 0,32	1,5 0,10 / 0,32

AP•T48Z11 0 10° 22° 38° 74° 21-22 13-14	AP•T5•Z11 0 17° 31° 47° 74° 21-22 13-14	AP•T5100Z11 0 17° 31° 47° 74° 21-22 13-14	AP•T52Z11 0 17° 31° 47° 74° 21-22 13-14	AP•T5200Z11 0 17° 31° 47° 74° 21-22 13-14
AP•T48X11 0 14° 28° 74° 21-22 13-14 21°	AP•T5•X11 0 21° 37° 74° 21-22 13-14 30°	AP•T5100X11 0 21° 37° 74° 21-22 13-14 30°	AP•T52X11 0 21° 37° 74° 21-22 13-14 30°	AP•T5200X11 0 21° 37° 74° 21-22 13-14 30°
AP•T48Y11 0 26° 42° 74° 21-22 13-14 11°	AP•T5•Y11 0 35° 51° 74° 21-22 13-14 18°	AP•T5100Y11 0 35° 51° 74° 21-22 13-14 18°	AP•T52Y11 0 35° 51° 74° 21-22 13-14 18°	AP•T5200Y11 0 35° 51° 74° 21-22 13-14 18°
AP•T48W02 0 12° 28° 74° 11-12 21-22	AP•T5•W02 0 19° 37° 74° 11-12 21-22	AP•T5100W02 0 19° 37° 74° 11-12 21-22	AP•T52W02 0 19° 37° 74° 11-12 21-22	AP•T5200W02 0 19° 37° 74° 11-12 21-22
AP•T48W20 0 11° 74° 13-14 23-24	AP•T5•W20 0 18° 74° 13-14 23-24	AP•T5100W20 0 18° 74° 13-14 23-24	AP•T52W20 0 18° 74° 13-14 23-24	AP•T5200W20 0 18° 74° 13-14 23-24
AP•T48Z02 0 10° 31° 37° 74° 11-12 21-22 11-12 21-22	AP•T5•Z02 0 17° 30° 46° 74° 11-12 21-22 11-12 21-22	AP•T5100Z02 0 17° 30° 46° 74° 11-12 21-22 11-12 21-22	AP•T52Z02 0 17° 30° 46° 74° 11-12 21-22 11-12 21-22	AP•T5200Z02 0 17° 30° 46° 74° 11-12 21-22 11-12 21-22
AP•T48X12P 0 17° 31° 74° 11-12 21-22 13-14 29°	AP•T5•X12P 0 24° 40° 74° 11-12 21-22 13-14 38°	AP•T5100X12P 0 24° 40° 74° 11-12 21-22 13-14 38°	AP•T52X12P 0 24° 40° 74° 11-12 21-22 13-14 38°	AP•T5200X12P 0 24° 40° 74° 11-12 21-22 13-14 38°
AP•T48X21P 0 17° 31° 74° 11-12 21-22 13-14 29°	AP•T5•X21P 0 24° 40° 74° 11-12 21-22 13-14 38°	AP•T5100X21P 0 24° 40° 74° 11-12 21-22 13-14 38°	AP•T52X21P 0 24° 40° 74° 11-12 21-22 13-14 38°	AP•T5200X21P 0 24° 40° 74° 11-12 21-22 13-14 38°
AP•T48W03P 0 17° 31° 74° 11-12 21-22 13-14	AP•T5•W03P 0 24° 40° 74° 11-12 21-22 13-14	AP•T5100W03P 0 24° 40° 74° 11-12 21-22 13-14	AP•T52W03P 0 24° 40° 74° 11-12 21-22 13-14	AP•T5200W03P 0 24° 40° 74° 11-12 21-22 13-14
0,100	0,105	0,105	0,125	0,125



Electrical Connection

- AP1:** one cable inlet for PG 13,5 Cable Gland
- AP2:** one cable inlet by 1/2" NPT Plastic Adapter
- AP3:** one cable inlet for PG11 Cable Gland
- AP4:** one cable inlet for M16 x 1,5 Cable Gland
- AP5:** one cable inlet for M20 x 1,5 Cable Gland



Operating Head Type

T55 - Adjustable lever with adjustable Ø 50 Rubber roller

T5500 - Adjustable toothed lever (step 2 mm) with adjustable Ø 50 Rubber roller

T61 - Nylon actuator with stainless steel spring

Conformity / (N.C. contact with positive opening operation)
 Max actuation speed [m/s]
 Min. force [N] or torque [Nm]: actuation / positive opening operation

1,5
0,10 / 0,32

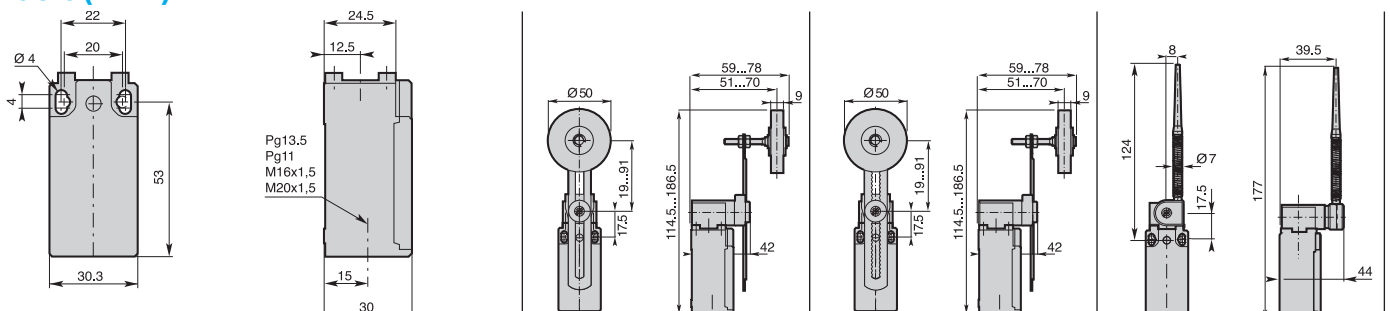
1,5
0,10 / 0,32

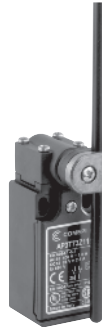
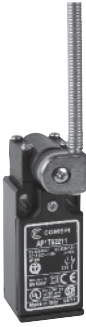
1,5
0,10 / -

Additional Technical Datas

Order Code	AP•T55Z11	AP•T5500Z11	AP•T61Z11
Z11 Snap Action Contacts (1NO + 1NC)			
X11 Non overlapping Slow Action Contacts (1NO + 1NC)			
Y11 Overlapping Slow Action Contacts (1NO + 1NC)			
W02 Slow Action Contacts (2NC)			
W20 Slow Action Contacts (2NO)			
Z02 Snap Action Contacts (2NC)			
X12P Non overlapping Slow Action Contacts (1NO + 2NC)			
X21P Non overlapping Slow Action Contacts (2NO + 1NC)			
W03P Slow Action Contacts (3NC)			
Weight (packing per unit) [kg]	0,130	0,130	0,105

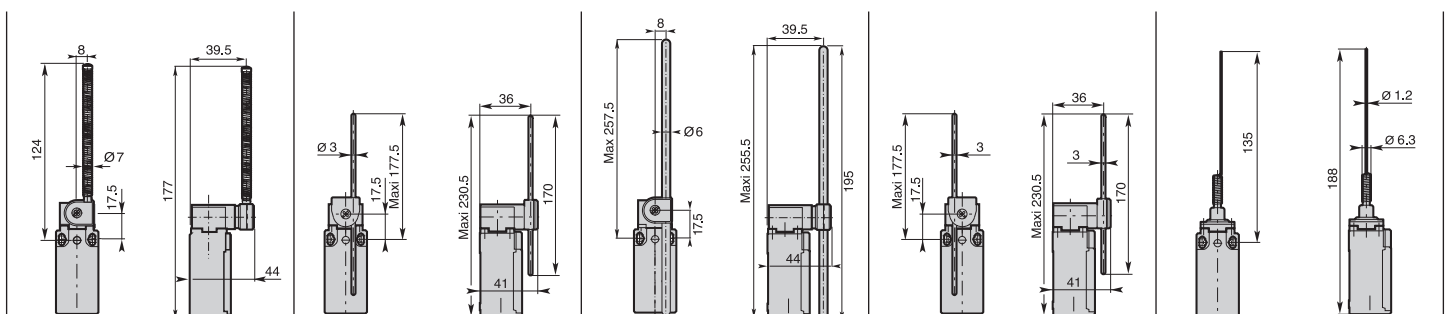
Dimensions (in mm)





T62 - Stainless steel spring actuator	T7• - Adjustable Ø 3 rod lever T71: stainless steel rod T72: fiberglass rod	T7• - Adjustable Ø 6 rod lever T73: nylon rod T74: fiberglass rod	T75 - Adjustable square steel rod lever	T91: Stainless steel spring multidirectional actuator
1,5 0,10 / -	1,5 0,10 / 0,32	1,5 0,10 / 0,32	1,5 0,10 / 0,32	1,0 0,12 / -

AP•T62Z11 0 17° 31° 74° 21-22 13-14 21-22 13-14	AP•T7•Z11 0 17° 31° 47° 74° 21-22 13-14 21-22 13-14	AP•T7•Z11 0 17° 31° 47° 74° 21-22 13-14 21-22 13-14	AP•T75Z11 0 17° 31° 47° 74° 21-22 13-14 21-22 13-14	AP•T91Z11 0 12° 23° 21-22 13-14 21-22 13-14
AP•T62X11 0 21° 74° 21-22 13-14 30°	AP•T7•X11 0 21° 37° 74° 21-22 13-14 30°	AP•T7•X11 0 21° 37° 74° 21-22 13-14 30°	AP•T75X11 0 21° 37° 74° 21-22 13-14 30°	AP•T91X11 0 14° 21° 21-22 13-14
AP•T62Y11 0 35° 74° 21-22 13-14 18°	AP•T7•Y11 0 35° 51° 74° 21-22 13-14 18°	AP•T7•Y11 0 35° 51° 74° 21-22 13-14 18°	AP•T75Y11 0 35° 51° 74° 21-22 13-14 18°	AP•T91Y11 0 25° 12° 21-22 13-14
AP•T62W02 0 19° 74° 11-12 21-22	AP•T7•W02 0 19° 37° 74° 11-12 21-22	AP•T7•W02 0 19° 37° 74° 11-12 21-22	AP•T75W02 0 19° 37° 74° 11-12 21-22	AP•T91W02 0 14° 11-12 21-22
AP•T62W20 0 18° 74° 13-14 23-24	AP•T7•W20 0 18° 74° 13-14 23-24	AP•T7•W20 0 18° 74° 13-14 23-24	AP•T75W20 0 18° 74° 13-14 23-24	AP•T91W20 0 13° 13-14 23-24
AP•T62Z02 0 17° 30° 74° 11-12 21-25 11-12 21-25	AP•T7•Z02 0 17° 30° 46° 74° 11-12 21-25 11-12 21-25	AP•T7•Z02 0 17° 30° 46° 74° 11-12 21-25 11-12 21-25	AP•T75Z02 0 17° 30° 46° 74° 11-12 21-25 11-12 21-25	AP•T91Z02 0 12° 22° 11-12 21-25 11-12 21-25
AP•T62•X12P 0 24° 74° 11-12 21-25 13-14	AP•T7•X12P 0 24° 40° 74° 11-12 21-25 13-14	AP•T7•X12P 0 24° 40° 74° 11-12 21-25 13-14	AP•T75X12P 0 24° 40° 74° 11-12 21-25 13-14	AP•T91X12P 0 16° 26° 11-12 21-25 13-14
AP•T62•X21P 0 24° 74° 11-12 21-25 13-14	AP•T7•X21P 0 24° 40° 74° 11-12 21-25 13-14	AP•T7•X21P 0 24° 40° 74° 11-12 21-25 13-14	AP•T75X21P 0 24° 40° 74° 11-12 21-25 13-14	AP•T91X21P 0 16° 26° 11-12 21-25 13-14
AP•T62•W03P 0 24° 74° 11-12 21-25 13-14	AP•T7•W03P 0 24° 40° 74° 11-12 21-25 13-14	AP•T7•W03P 0 24° 40° 74° 11-12 21-25 13-14	AP•T75W03P 0 24° 40° 74° 11-12 21-25 13-14	AP•T91W03P 0 16° 11-12 21-25 13-14
0,105	0,105	0,115	0,105	0,080



Electrical Connection

- AP1:** one cable inlet for PG 13,5 Cable Gland
- AP2:** one cable inlet by 1/2" NPT Plastic Adapter
- AP3:** one cable inlet for PG11 Cable Gland
- AP4:** one cable inlet for M16 x 1,5 Cable Gland
- AP5:** one cable inlet for M20 x 1,5 Cable Gland



Operating Head Type

	T92: Multidirectional nylon actuator with stainless steel spring	T93: Stainless steel spring multidirectional actuator	T98: Pull action with ring
Conformity / (N.C. contact with positive opening operation)			
Max actuation speed [m/s]	1,0	1,0	0,5
Min. force [N] or torque [Nm]: actuation / positive opening operation	0,12 / -	0,12 / -	30 / -

Additional Technical Datas

Order Code	Operation Diagram	Order Code	Operation Diagram	Order Code	Operation Diagram
Z11 Snap Action Contacts (1NO + 1NC)		AP•T92Z11		AP•T93Z11	
X11 Non overlapping Slow Action Contacts (1NO + 1NC)		AP•T92X11		AP•T93X11	
Y11 Overlapping Slow Action Contacts (1NO + 1NC)		AP•T92Y11		AP•T93Y11	
W02 Slow Action Contacts (2NC)		AP•T92W02		AP•T93W02	
W20 Slow Action Contacts (2NO)		AP•T92W20		AP•T93W20	
Z02 Snap Action Contacts (2NC)		AP•T92Z02		AP•T93Z02	
X12P Non overlapping Slow Action Contacts (1NO + 2NC)		AP•T92X12P		AP•T93X12P	
X21P Non overlapping Slow Action Contacts (2NO + 1NC)		AP•T92X21P		AP•T93X21P	
W03P Slow Action Contacts (3NC)		AP•T92W03P		AP•T93W03P	
Weight (packing per unit)	[kg]	0,085	0,090	0,115	

Dimensions (in mm)

