



1342 Series

Applications:

- Pumps. Laundry equipments.
- Irrigation. Compressors. Pollution controls.
- Heating with medium or high pressure steam.
- Autoclaves. Industrial laundry equipments.
- Spraying. Irrigation.
- Air dryers. water treatment.

Main characteristics.

Normally closed or normally open.
 Servo-operated action.
 3/4" to 3" BSP or NPT threaded connections.
 Body: Forged brass or stainless steel.
 Core tube SS. 304 and 316.
 Plunger and fixed core: SS. 430 F.
 Shading coil: copper, silver or aluminium

Shape A DIN 43650 Connection encapsulated coils.
 IP65 and NEMA4 Protection.

Options:

- Energized coil indicator light.
- Explosion and / or weather proof coils and housings.
- Manual operator on main passage.
- Manual operator on pilot orifice.

Operating pressure differential

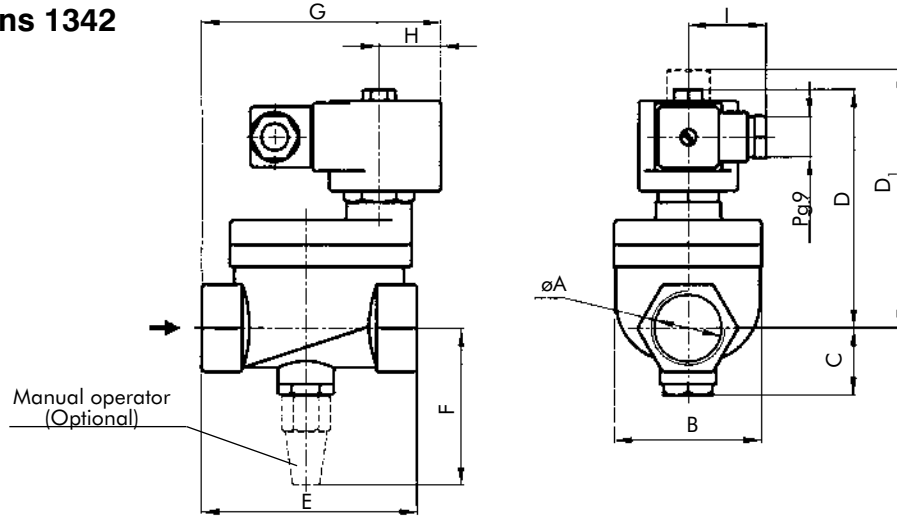
***Advise:** when using direct current (DC), a 25% reduction on the maximum operating pressure differential is expected

| Type | Minimum | | | | Maximum steam | | Maximum other fluids | | | |
|------|--------------|-----|---------------|-----|---------------|-----|----------------------|-------|-------------|-------|
| | Others seats | | Buna "N" seat | | PTFE seat | | PTFE seat | | Other seats | |
| | bar | psi | bar | psi | bar | psi | bar | psi | bar | psi |
| NC | 0.5 | 7.5 | 0.2 | 3 | 10 | 150 | 17 * | 255 * | 15 * | 225 * |
| NO | 0.5 | 7.5 | 0.2 | 3 | 10 | 150 | 10 | 150 | 10 | 150 |

Technical specifications - Brass body

| Ø Pipe ins | Ø Orifice | | Flow factor | | Weight | | Maximum temp. and catalog N° according to seat material | | | | |
|------------------------|-----------|------|-------------|-----|--------|-----|---|----------------|-----------------|-----------------|-----------------|
| | mm | ins. | Kv | Cv | kg | Lb | Buna "N" | Neoprene | EPDM | FKM | PTFE |
| | | | | | | | 80 °C / 176 °F | 80 °C / 176 °F | 145 °C / 293 °F | 150 °C / 302 °F | 180 °C / 356 °F |
| Normally closed | | | | | | | | | | | |
| 3/4" | 20 | 0.79 | 5 | 5.9 | 1.2 | 2.6 | 1342BA06 | 1342BN06 | 1342BE06 | 1342BV06 | 1342BT06 |
| 1" | 26 | 1.02 | 11 | 13 | 1.7 | 3.8 | 1342BA08 | 1342BN08 | 1342BE08 | 1342BV08 | 1342BT08 |
| 1.1/2" | 38 | 1.50 | 25 | 29 | 3.1 | 6.8 | 1342BA12 | 1342BN12 | 1342BE12 | 1342BV12 | 1342BT12 |
| 2" | 50 | 1.97 | 40 | 47 | 4.1 | 9.0 | 1342BA16 | 1342BN16 | 1342BE16 | 1342BV16 | 1342BT16 |
| 2.1/2" | 76 | 3.00 | 66 | 77 | 19 | 42 | 1342BA20 | 1342BN20 | 1342BE20 | 1342BV20 | 1342BT20 |
| 3" | 76 | 3.00 | 85 | 99 | 18 | 40 | 1342BA24 | 1342BN24 | 1342BE24 | 1342BV24 | 1342BT24 |
| Normally open | | | | | | | | | | | |
| 3/4" | 20 | 0.79 | 5 | 5.9 | 1.2 | 2.6 | 1342BA06INA | 1342BN06INA | 1342BE06INA | 1342BV06INA | 1342BT06INA |
| 1" | 26 | 1.02 | 11 | 13 | 1.7 | 3.8 | 1342BA08INA | 1342BN08INA | 1342BE08INA | 1342BV08INA | 1342BT08INA |
| 1.1/2" | 38 | 1.50 | 25 | 29 | 3.1 | 6.8 | 1342BA12INA | 1342BN12INA | 1342BE12INA | 1342BV12INA | 1342BT12INA |
| 2" | 50 | 1.97 | 40 | 47 | 4.1 | 9.0 | 1342BA16INA | 1342BN16INA | 1342BE16INA | 1342BV16INA | 1342BT16INA |
| 2.1/2" | 76 | 3.00 | 66 | 77 | 19 | 42 | 1342BA20INA | 1342BN20INA | 1342BE20INA | 1342BV20INA | 1342BT20INA |
| 3" | 76 | 3.00 | 85 | 99 | 18 | 40 | 1342BA24INA | 1342BN24INA | 1342BE24INA | 1342BV24INA | 1342BT24INA |

General dimensions 1342



| øA | B | C | D | D ₁ | E | F | G | H | I |
|-------------|-----|----|-----|----------------|-----|-----|-----|----|----|
| R 3/4" | 52 | 26 | 104 | 114 | 71 | 68 | 84 | 27 | 35 |
| R 1" | 67 | 30 | 108 | 118 | 96 | 72 | 104 | | |
| R 1,1/2" | 81 | 36 | 119 | 129 | 114 | 79 | 122 | | |
| R 2" | 97 | 44 | 125 | 135 | 128 | 85 | 138 | | |
| R 2,1/2"-3" | 163 | 89 | 214 | 224 | 224 | 170 | - | | |

Measurements: mm

| øA | B | C | D | D ₁ | E | F | G | H | I |
|-------------|------|------|------|----------------|------|------|------|------|------|
| R 3/4" | 2.05 | 1.02 | 4.09 | 4.49 | 2.80 | 2.68 | 3.31 | 1.06 | 1.38 |
| R 1" | 2.64 | 1.18 | 4.25 | 4.65 | 3.78 | 2.83 | 4.09 | | |
| R 1,1/2" | 3.19 | 1.42 | 4.69 | 5.08 | 4.49 | 3.11 | 4.80 | | |
| R 2" | 3.82 | 1.73 | 4.92 | 5.31 | 5.04 | 3.35 | 5.43 | | |
| R 2,1/2"-3" | 6.42 | 3.50 | 8.43 | 8.82 | 8.82 | 6.69 | - | | |

Measurements: ins.

Special constructions

Stainless steel body:

- AISI304: change letter **B** for **S** in the catalog N^o.
Example: 1342ST08.
- AISI316: change letter **B** for **I** in the catalog N^o.
Example: 1342IT08.

Coil characteristics

| Electric power supply | Coil type | Power W | VA (volt-amper) | | Maximum temperature | | Available tensions |
|-----------------------|-----------|---------|-----------------|---------|---------------------|-----|--------------------|
| | | | Inrush | Holding | ° C | ° F | |
| AC 50 Hz | MF11C | 11 | 40 | 22 | 155 | 311 | 1 |
| | MH11C | 11 | 40 | 22 | 180 | 356 | 1 |
| AC 60 Hz | MF13C | 13 | 45 | 27 | 155 | 311 | 2 |
| | MH13C | 13 | 45 | 27 | 180 | 356 | 2 |
| DC | MH19C | 19 | 19 | 19 | 180 | 356 | 3 |

1-(12,24,110,220,240)V 2-(12,24,110,120,220,240)V 3-(12,24,110,220)V

| Options | Prefix | Suffix | Examples |
|--|------------|------------|--------------------|
| Water, weather and saline corrosion proof coils. | YC | | YC1342BA08 |
| Explosion and weather proof coils. | ZC | | ZC1342BA08 |
| Weather proof housing. | Y | | Y1342BA08 |
| Explosion and weather proof housing. | Z | | Z1342BA08 |
| Manual operator: on main orifice. (**) | | - M | 1342BA08-M |
| Manual operator on pilot orifice. (*)(**) | | -MP | 1342BA08-MP |
| NPT connections | | T | 1342BA08T |
| Energized coil indicator light | See coils. | | |

(*) PTFE seat not available

(**) Only NC versions.

Recommendations for installation.

Place a strainer upstream the valve with a porosity ≤ 100µ. Mount the valve preferably over horizontal pipeline with the coil upright. The valve input pressure must always be > than the output pressure. In order to allow the normally closed or normally open valve to open, the minimum pressure indicated for each model must be respected.

Application according to seat material

| Seat material | Buna "N" | Neoprene | EPDM | FKM | PTFE |
|----------------------------|--|--|----------------------------------|---|------------------------------------|
| Maximum temperature | +80 °C / 176 °F | +80 °C / 176 °F | +145 °C / 293 °F | +150 °C / 302 °F | +180 °C / 356 °F |
| Uses | Water, air, light oils. Neutral gases. Kerosene, low and medium vacuum | Oxygen, alcohol, argon, other non-corrosive light gases and liquids, Freon 12. | Water steam, hot water, acetone. | Benzene, naphta, aromatics, etc. hot gases, diesel oil. | Steam, hot oils, corrosive fluids. |