



Control alarms and other auxillary equipment

- Corrosion resistant materials provide long life
- Flexible installation options

Product Summary

Description Designed to indicate “pump on” and “pump off” conditions within a forced cooling system. Select models also indicate flow direction. Up to 2 SPST or SPDT switches are available for control and/or alarm functions. Large dial face provides easy viewing and is magnetically coupled to the flange assembly allowing leak free replacement if damaged.

Application For cooling systems with forced oil or water which require “safe” flow rate, “correct” flow direction, on-off control, limit control or alarm triggering.



QUALITROL® 092 flow indicators

Control alarms and other auxillary equipment

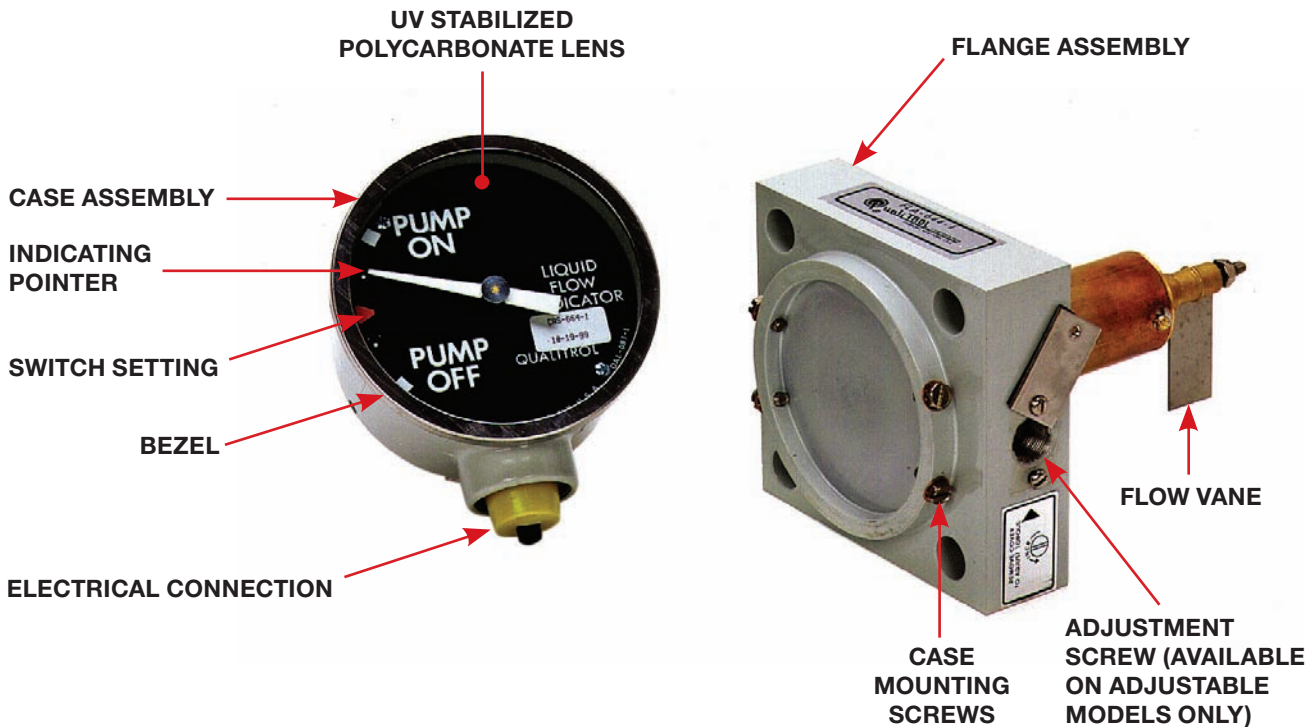
- Provides up to two SPST or SPDT switches for alarm and control functions
- Robust, UL/CSA recognized 15 Amp (@ 120 VAC) switch contacts reset automatically when instrument returns to "Pump Off" state

Corrosion resistant materials provide long life

- Case constructed of die-cast aluminum with ASA #70 thermosetting powder coat finish
- UV stabilized polycarbonate lens securely fastened in place with stainless steel bezel ring
- A wide variety of electrical connection styles and positions are available for ease of installation and protection against the environment

Flexible installation options

- Select models are available with an adjustable preload spring to enable field adjustment of the vane torque to determine the correct switch setting
- Can be installed on pipes with inside diameters from 2.00" to 8.00" for a wide range of flow applications
- The two piece design consists of a magnetically coupled dial assembly and flange assembly allowing for easy in-field replacement of dial if damaged





TECHNICAL SPECIFICATIONS

Mechanical	Case type	Sealed or vented
	Mounting	Bolted flange
	Operating pressure	35 psi maximum
	Flow velocity	100 FPM - 750 FPM
	IP ratings (sealed cases)	Meets IP66 requirements
	IP ratings (vented cases)	Meets IP54 requirements
Dimensions	Dial diameter	3.750" (95.3 mm)
	Support tube diameter	1.375" (34.9 mm)
	Installation pipe diameter	2.0" - 8.0" (50.8 mm - 203.2 mm)
	Vane	0.75" x 1.75" (19.05 mm x 44.45 mm)
Materials	Case	Die-cast aluminum - ASA #70 light grey thermosetting powder coat finish
	Bezel	Stainless steel
	Lens	Clear glass, tempered glass, plexiglass, UV stabilized polycarbonate
	Vane	Stainless steel, brass or tin plated
Environmental	Ambient operating temperatures	-30 to 140°F (-34 to 60°C)
	Resonance	The instrument and all its parts will not resonate at 120 CPM and multiples thereof
Electrical	Switch type	Snap action, SPST or SPDT
	Number of switches	Up to 2
	Switch rating (AC)	10 amp @ 125, 250 & 480 VAC
	Switch rating (DC)	½ Amp @ 125 VDC - resistive
		¼ Amp @ 250 VDC - resistive
		1½ Amp @ 48 VDC - resistive
Electrical connections	QUALITROL, Military, ANSI, permanently attached cable, flying leads	
Dielectric strength	1500 VAC for one minute	



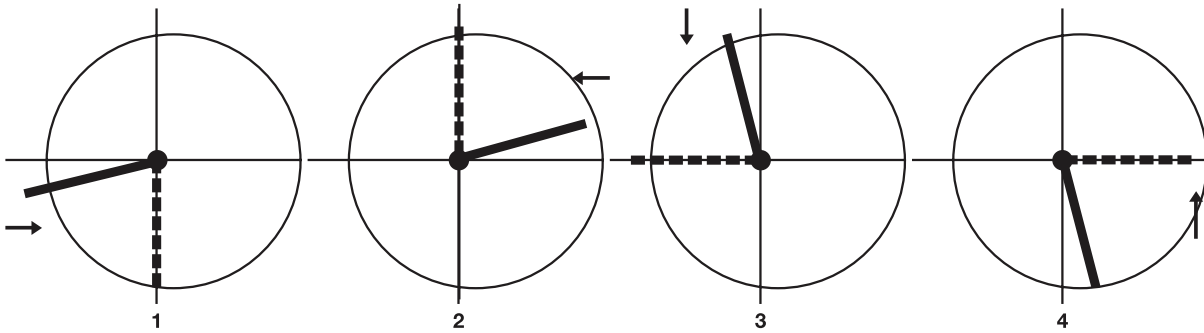
Don't see what you need?

QUALITROL regularly creates models with special customer requirements. Contact your local sales representative or QUALITROL Application Engineer to review your special requirements.



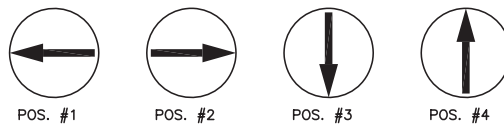
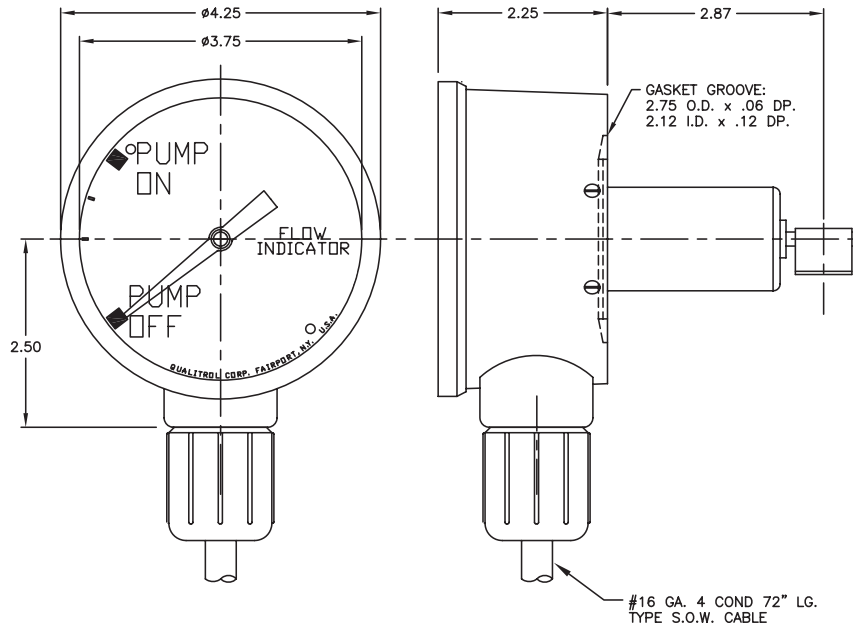
QUALITROL® 092 flow indicators

Vane orientation (viewed from rear of gauge)



Typical vane orientations — arrows indicate direction of flow
 Solid vane shows “off” positions
 Dotted vane shows “full flow” position

QUALITROL 092



DIE STAMP ARROW ON FLANGE TO SHOW FLOW DIRECTION, PER SALES ORDER.

QUALITROL® Field Services

To further improve reliability, QUALITROL provides comprehensive education and on-site commissioning services, maintenance contracts and technical support to all customers worldwide. Emergency response is available on all products and services.

©2008 QUALITROL® Company LLC, an ISO 9001 system certified company. All rights reserved. Information subject to change without notice. All trademarks are properties of their respective companies, as noted herein. AP-C10-01L-01E.