

The All-rounder series

MAGDOS LK - solenoid-diaphragm dosing pumps 0.5 – 15 l/h, up to 16 bar



Reliable dosing of chemicals

A wide variety of functions and convenient solutions – the solenoid-diaphragm dosing pump MAGDOS LK offers all of this. With its intuitive and easy operation the MAGDOS LK is setting new standards in its class.

The power ranges cover from 0.5 to 15 l/h with back pressures up to 16 bar. Double-ball valves ensure accurate dosing. To adapt the dosing performance, the stroke frequency can be adjusted manually or via an external control contact.

Several different materials and connections are available for suction and discharge side, depending on the specific applications. A coordinated accessory set consisting of hoses, injection nozzles and suction lines enables fast installation, while achieving optimum results.

Easy handling

Thanks to the sturdy, low-maintenance solenoid drive, the media being supplied (acids, alkalis, coagulants and flocculants, for example) are reliably and accurately dosed.

The MAGDOS LK doesn't just impress with its elegant design; the graphical display with a multi-language menu as well as the dosing pump's operation using the integrated keyboard simplifies its use.

The dosing pump is compact and, thanks to the small mounting area, can be integrated into every dosing system in a very space-saving way. It can be mounted in three different positions without further attachments: standing, left- or right-oriented on a wall.

Functions

- Output range from 0.5 – 15 l/h, up to 16 bar
- Power supply 230 V \pm 10 %, 50/60 Hz, IP65 or 115 V \pm 10 %, 50/60 Hz
- Dosing head ventilation (plastic version)
- Suitable for wall and floor mounting
- Material finishes PVC, PP, PVDF and stainless steel
- Stroke frequency can be precisely adjusted via the keyboard
- Graphic display with multi-language menu
- Pulse input (increase and reduction)
- Level input with early warning and main alarm
- Release input for external start/stop
- Supply amount displayed in various units
- Maximum delivery rate can be limited
- Energy-saving "Eco-mode" is available
- Stroke feedback output
- CSA and UL certified

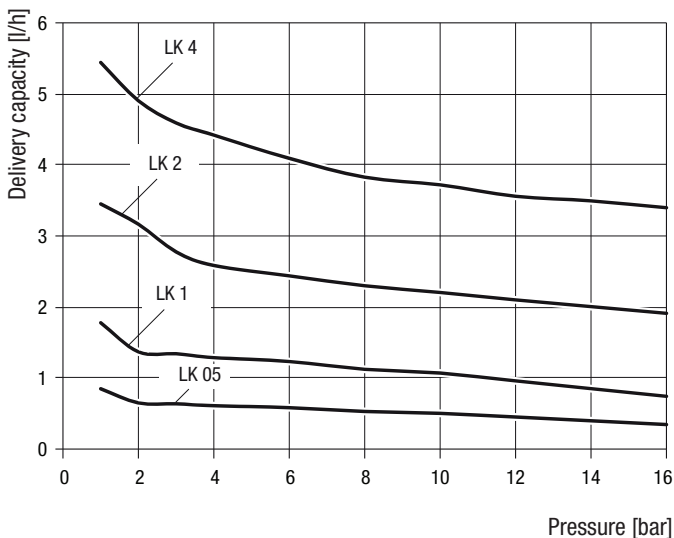
Technical specifications

MAGDOS LK		05	1	2	4	6	10	15
Delivery capacity at max. back pressure	l/h	0.36	0.76	1.9	3.4	6.2	9	13
	ml/stroke	0.05		0.2	0.32	0.57	0.83	0.87
Max. delivery pressure	bar	16				8	6	3
Delivery capacity at average back pressure	l/h	0.54	1.1	2.3	3.8	6.8	10	15
	ml/stroke	0.08	0.07	0.24	0.35	0.63	0.92	1
Average delivery pressure	bar	8				4	3	1
Nominal stroke frequency	RPM	120	250	160	180		250	
Suction lift for non-gassing media	mWS	5		3		2		
Max. supply pressure	mbar	800						
Diameter of diaphragm	mm	24		33		39		
Valve size		DN3		DN4				
Voltage supply		230 V, ± 10 %, 50/60 Hz or 115 V, ± 10 %, 50/60 Hz						
Power consumption	W	8	13	19	25		22	
Protection class		IP65 (with covering caps on the connections)						
Insulation class		F						
Material		PVC, PP, PVDF, 1.4571						
Weight	PVC, PP, PVDF	kg		~ 3.2				
	Stainless steel (1.4571)	kg		~ 4.3				
Permitted ambient temperature	°C	5 – 45 (with PVC parts 5 – 40)						
Permitted media temperature	°C	80 (with PVC parts 35; with PP parts 60)						

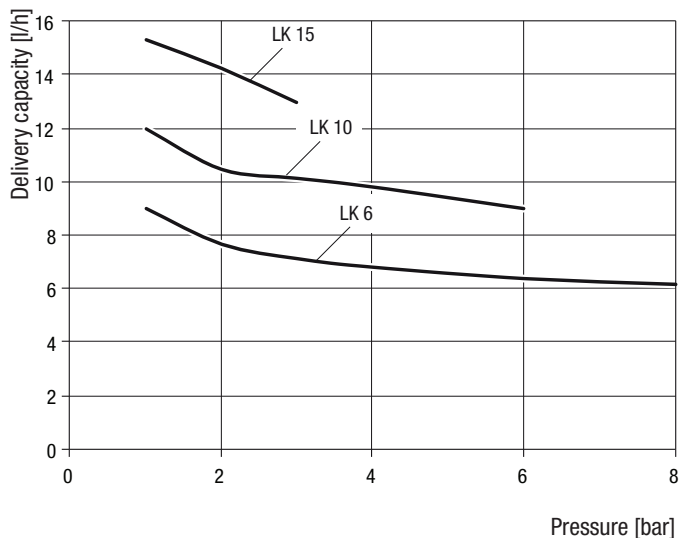
Delivery characteristic curves

These delivery capacities were determined on the manufacturer's test stands. They apply at 20 °C (68 °F) for water, at 100 % stroke frequency. The delivery capacity depends on the medium (density and viscosity) and temperature. Since these conditions vary at every installation location, you should calibrate the dosing pump.

MAGDOS LK 05 – 4



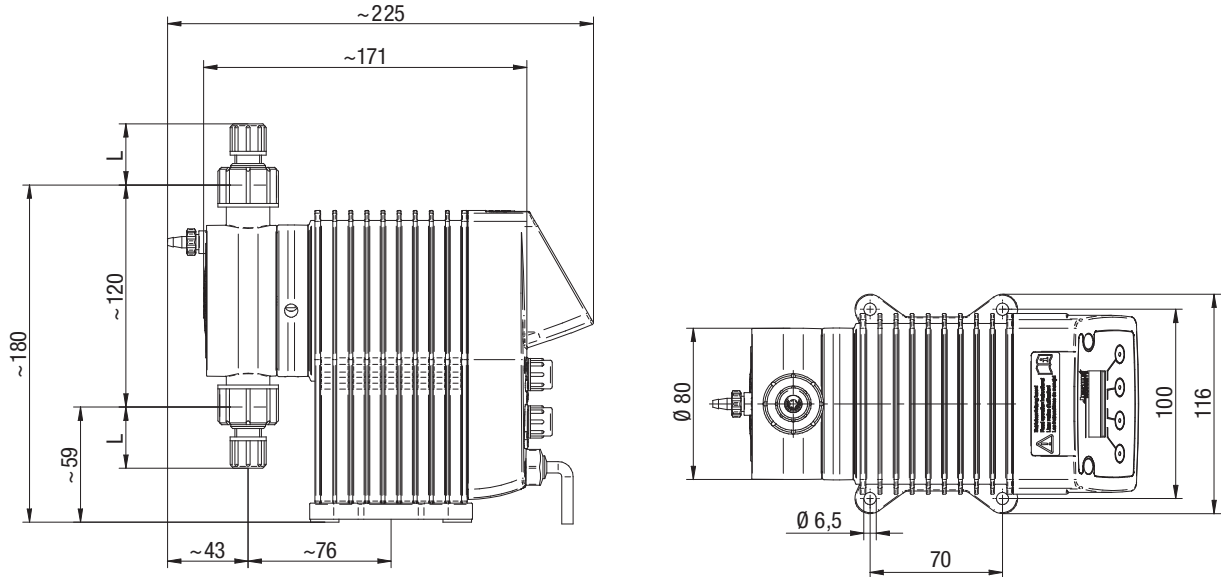
MAGDOS LK 6 – 15



Dimensions

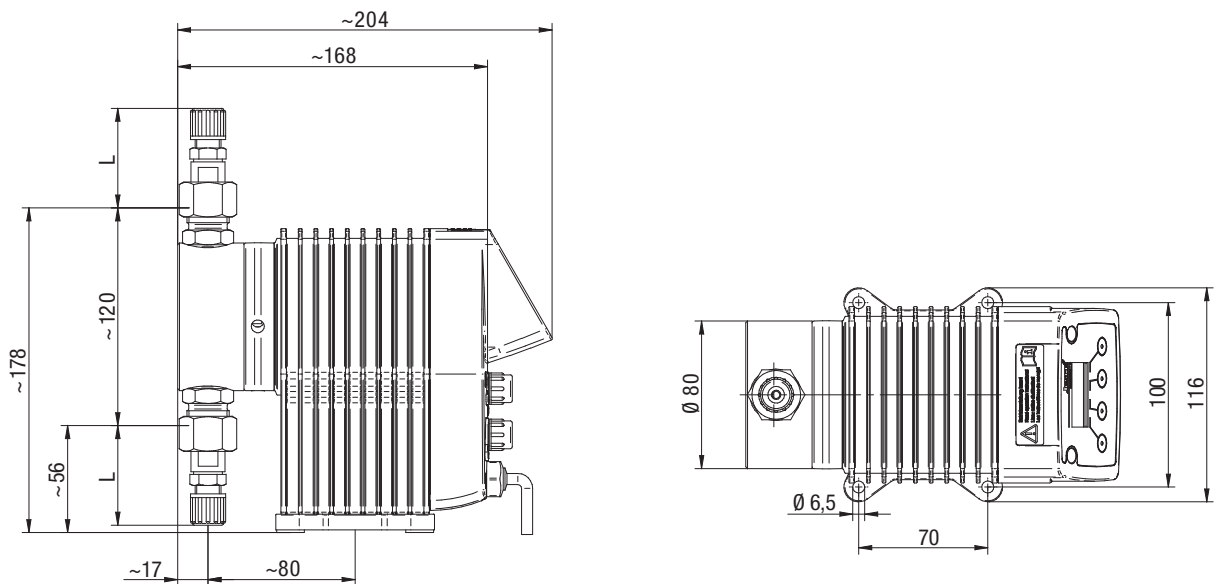
MAGDOS LK with dosing head made of PVC, PP or PVDF

All dimensions in mm



MAGDOS LK with dosing head made of stainless steel 1.4571

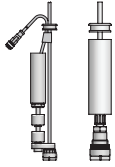
All dimensions in mm



Connection	Material	Scale	Nominal width	L
Hose clamp connection	PVC, PP, PVDF	4/6 mm	DN4	31 mm
		1/4x3/8"	1/4"	34 mm
		6/9 mm	DN6	34 mm
		6/12 mm	DN6	15 mm
	Stainless steel (1.4571), PVDF	4/6 mm	DN4	50 mm
		6/9 mm	DN6	54 mm

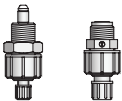
You will receive further connection possibilities for your dosing pump upon request.

MAGDOS LK standard - accessories



Suction lines

Type SL-2 with ceramic reinforcement piece, cable length 3,000 mm, tube length 2,500 mm. Level monitoring and pre-alarm with 2 switching points, switching distance approx. 50 mm. Switching function: Closer on rising level, electrical connection to dosing pump via plug connector M12x1. Flexible suction line, SA model with foot valve and load part made from ceramic and 2,500 mm hose length.



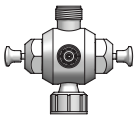
Injection nozzles

From the connection of the dosing line to the dosing point.
Injection nozzle type S, hose-loaded, opening pressure 1.1 bar
Injection nozzle type R, spring-loaded, opening pressure 0.1 bar



Suction and pressure tube

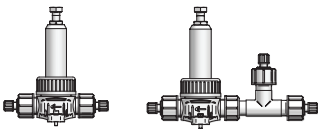
Permissible operating pressure at 20 °C in accordance with DIN EN ISO 7751, chemical resistance and correct connection are assumed.



PENTABLOC

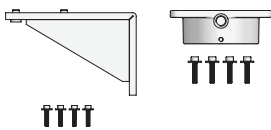
The PENTABLOC multi-function valve is installed directly on the dosing head of the pump and contains the following features:

- Back pressure function, opening pressure 3 bar
- Pressure relief function, opening pressure 11 bar
- Antisiphon function
- Dosing monitoring function



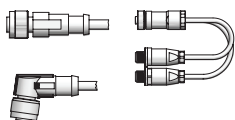
Back pressure and pressure relief valves

Back pressure valves to be mounted in the dosing line.
Adjustable pressure 1 – 16 bar
Pressure relief valves to be mounted in the dosing line.
Adjustable pressure: Plastic 1 – 16 bar, stainless steel 1 – 25 bar



Wall bracket and connecting piece

Wall bracket including mounting material for mounting pumps. Material: PP
Connecting piece and mounting hardware required to fit the pump to a water meter. Material: Cast aluminium, coated



Various cables, plugs and adapters

Cable for: external release and pulse output A-coded, pulse input A-coded, level monitoring A-coded.
Plug connector: for retrofitting existing suction lines or level monitors.
Adapter: when using older suction lines with a 3.5 mm jack plug; when using a suction line with M12x1 plug connector.