

840-0180

POLARIZER HOLDERS



840-0180-A1

840-0180-A2

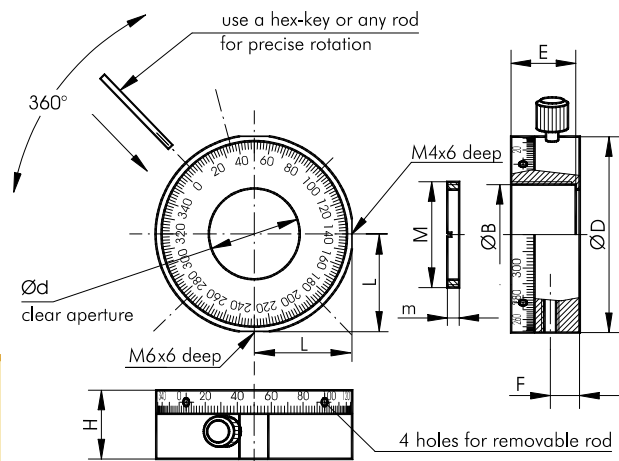
840-0180-A3

- For Ø1", Ø2" and Ø3" optics
- Accepts optics up to 13 mm thick
- Continuous 360° rotation with 2° scale gradation
- Lockable
- Roller bearings design
- 2 graduation scales that may be useful in little space applications
- M6 and M4 threaded holes for mounting on posts or bases
- Material: black anodized aluminum

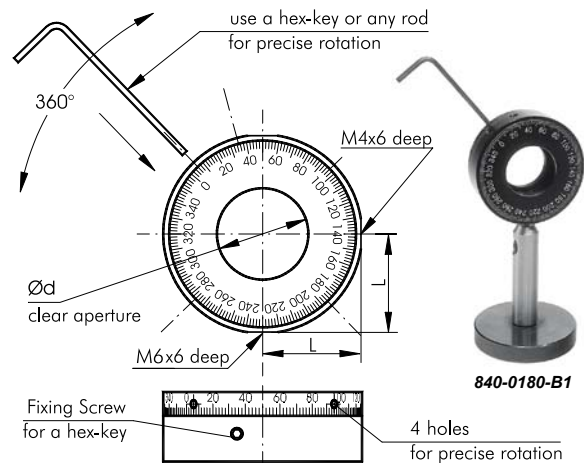
Polarizer Holders 840-0180-A are ideal for positioning rotation sensitive optics such as polarizers or waveplates. Holders are offered for optics of 1", 2" or 3" diameter. Optics is placed inside central aperture, where it is securely held in place by a threaded retaining ring. The position is indicated on two 360° angular scales, with gradation of 2°. Where space doesn't allow to read one scale, you always will be able to view another.

The base of a holder has M6 and M4 threaded holes for mounting on posts or bases.

840-0180-A has a removable rod to rotate the platform by any of its 4 holes.



840-0180-A1, 840-0180-A2



840-0180-B1, 840-0180-B2

Polarizer Holders 840-0180-B are the same as 840-0180-A, except that their fixing screw is tightened with a hex-key (included), and it does not stand out from the surface.

Like in 840-0180-A, the platform is rotated by any rod or the same hex key.

The holders are made of black anodized aluminium.

Code	D, mm	E, mm	H, mm	B, mm	d, mm	L, mm	M, mm	F, mm	m, mm	Weight, kg	Price, EUR
840-0180-A1	51	16.5	17.5	25.5	23	25	M27×1	7.5	2.5	0.08	69
840-0180-B1	51	16.5	17.5	25.5	23	25	M27×1	7.5	2.5	0.08	69
840-0180-A2	82	19	20	51.5	48	40.5	M53×1	9.5	2.5	0.18	138
840-0180-B2	82	19	20	51.5	48	40.5	M53×1	9.5	2.5	0.17	138
840-0180-A3	115	24.5	26.5	76.9	72	57	M78×1	12	3.5	0.46	210
840-0180-B3	115	24.5	26.5	76.9	72	57	M78×1	12	3.5	0.46	210