



OMNI-DIRECTIONAL SOLUTIONS SINCE 1909

**9341 OMNITRACK  
HIGH CAPACITY  
BALL TRANSFER UNIT**  
REVISION # 02

Available Material Options

Part #	Load Bearing Internal Materials	Ball Material	Casing Material & Finish
9341	AISI 52100	AISI 52100	AISI 1012 ZINC/ELECTROPHORETIC (BLACK)
9341A	AISI 52100	AISI 440	AISI 1012 ZINC/ELECTROPHORETIC (BLACK)
9341Z	AISI 440	AISI 440	AISI 1012 ELECTROPHORETIC (BLACK)
9341SS	AISI 440	AISI 440	AISI 304 - NATURAL
9341PB	PHENOLIC RESIN MAIN BALL AVAILABLE FOR ALL MATERIAL OPTIONS - 35 Kg / 75 Lbs		

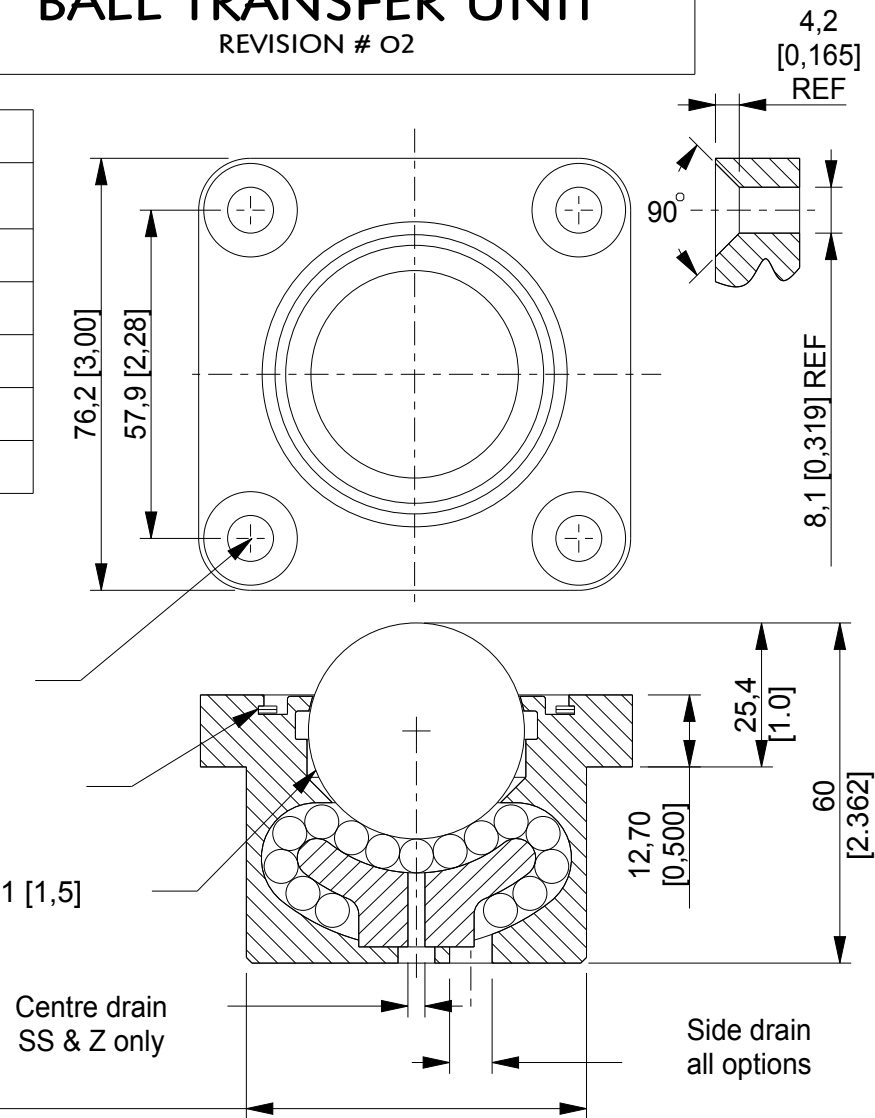
~ Operating temperature -20° C + 125° C (continuous)

**LOAD CAPACITY 1100 Kg / 2425 Lbs**

4 HOLES  $\phi$  8,1 [0.319]  
C'SUNK  $\phi$  16 [0.630] @ 90° INCL

Removable & reusable 'Spirolox'  
circlip allows cleaning/user servicing

$\phi$  60,00 +0,00 -0,10  
[2,362 +0,000 -0,004]



THIS DOCUMENT CONTAINS OMNITRACK PROPERTY AND CONFIDENTIAL INFORMATION. IT IS LOANED FOR LIMITED PURPOSES ONLY AND REMAINS THE PROPERTY OF OMNITRACK. IT MAY NOT BE REPRODUCED IN WHOLE OR PART OR DISCLOSED TO THIRD PARTIES WITHOUT THE PRIOR WRITTEN CONSENT OF OMNITRACK. THE DOCUMENT IS TO BE RETURNED TO OMNITRACK UPON REQUEST AND IN ALL EVENTS UPON COMPLETION OF THE USE FOR WHICH IT WAS LOANED