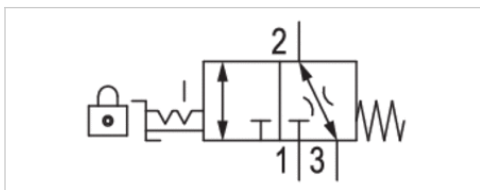


3/2-shut-off valve, mechanically operated, Series AS2-SOV-...-MAN

- Qn 1►2 = 2000 l/min
- Qn 2►3 = 380 l/min
- Compressed air connection output G 1/4, G 3/8
- suitable for ATEX



Version	Poppet valve
Parts	Shut-off valve
Version	Can be assembled into blocks
Actuating element	rotary switch
For padlocks	lockable
For padlocks	for padlocks
Sealing principle	Soft sealing
Working pressure min./max.	0 ... 16 bar
Ambient temperature min./max.	-10 ... 50 °C
Medium temperature min./max.	-10 ... 50 °C
Medium	Compressed air, Neutral gases
Max. particle size	25 µm
Weight	0,206 kg



Technical data

Part No.	Compressed air connection			Flow	Flow
	Input	Output	Exhaust	Qn 1 ► 2	Qn 2 ► 3
R412006260	G 1/4	G 1/4	G 1/4	2000 l/min	380 l/min
R412006256	G 1/4	G 1/4	G 1/4	2000 l/min	380 l/min
R412006261	G 3/8	G 3/8	G 1/4	2000 l/min	380 l/min
R412006257	G 3/8	G 3/8	G 1/4	2000 l/min	380 l/min

Part No.	Lock type	Locking base
R412006260	for padlocks	Polyoxymethylene
R412006256	for padlocks	Steel, galvanized
R412006261	for padlocks	Polyoxymethylene
R412006257	for padlocks	Steel, galvanized

Nominal flow Qn with secondary pressure p2 = 6 bar at Δp = 1 bar

Technical information

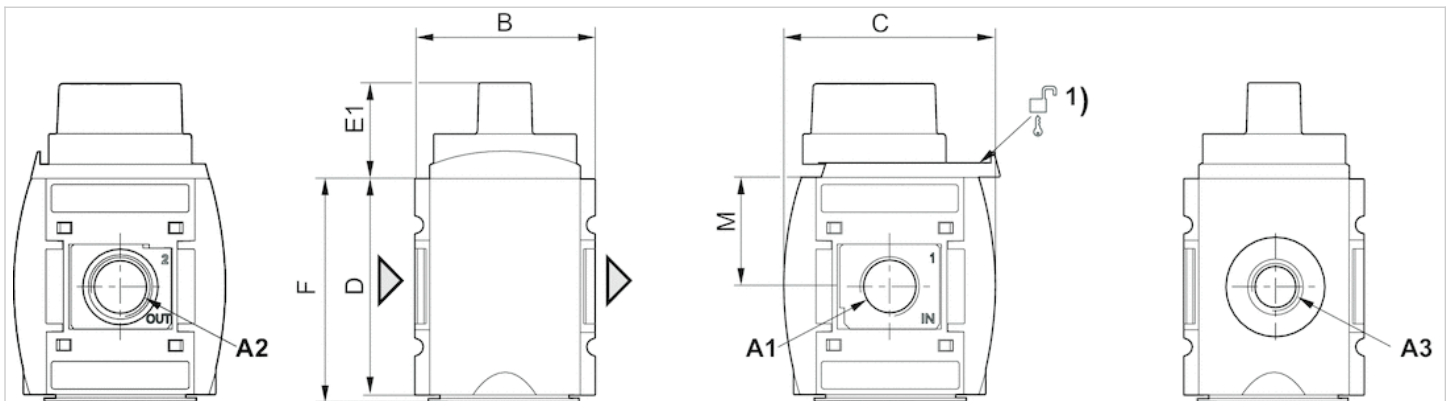
The pressure dew point must be at least 15 °C under ambient and medium temperature and may not exceed 3 °C .
 A short silencer is required for wall mounting (see accessories e.g. R412004817).
 Suitable for use in Ex zones 1, 2, 21, 22

Technical information

Material	
Housing	Polyamide
Front plate	Acrylonitrile butadiene styrene
Seals	Acrylonitrile butadiene rubber
Threaded bushing	Die cast zinc
Actuating element	Polyoxymethylene
Locking base	Polyoxymethylene, Steel, galvanized

Dimensions

Dimensions



A1 = input A2 = output A3 = ventilation port

1) Mounting option for padlocks; max. shackle Ø 8

Dimensions in mm

A2	A3	B	C	D	E1	F	M
G 1/4	G 1/4	52	59	65	20.5	67	34
G 3/8	G 1/4	52	59	65	20.5	67	34