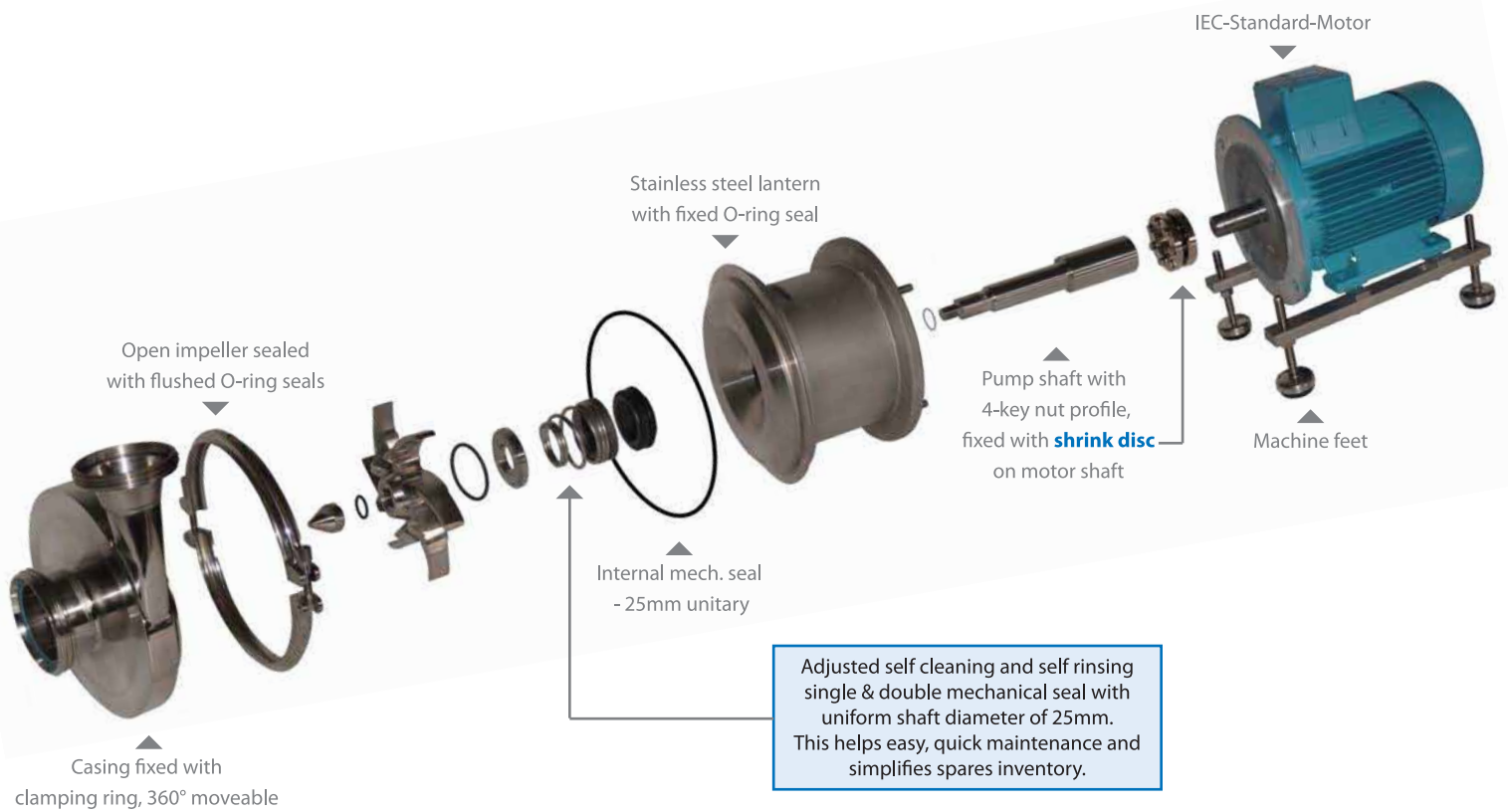




SANITARY CENTRIFUGAL PUMPS



OVER VIEW



STANDARD FEATURES

1. Electro polished CrNiMo forged & sheet metal in AISI 316L for all liquid contact parts.
2. Modular design. Identical spare parts for several sizes of pump.
3. Control adjustment possible with motor and integrated frequency converter up to 7.5 kw.
4. Inducer for low NPSH values
5. Free choice of nominal sizes of inlet/outlet.
6. Free choice of motor manufacturer
7. Bench test for each pump

OPTIONAL FEATURES

1. Internal frequency converter
2. Trolley with breaker & cable
3. Pump head heating / cooling jacket
4. Seal steam sterilization
5. Flameproof electricals
6. Casing with drainage connection or diaphragm valve

SANITARY NON SELF-PRIMING KN 1

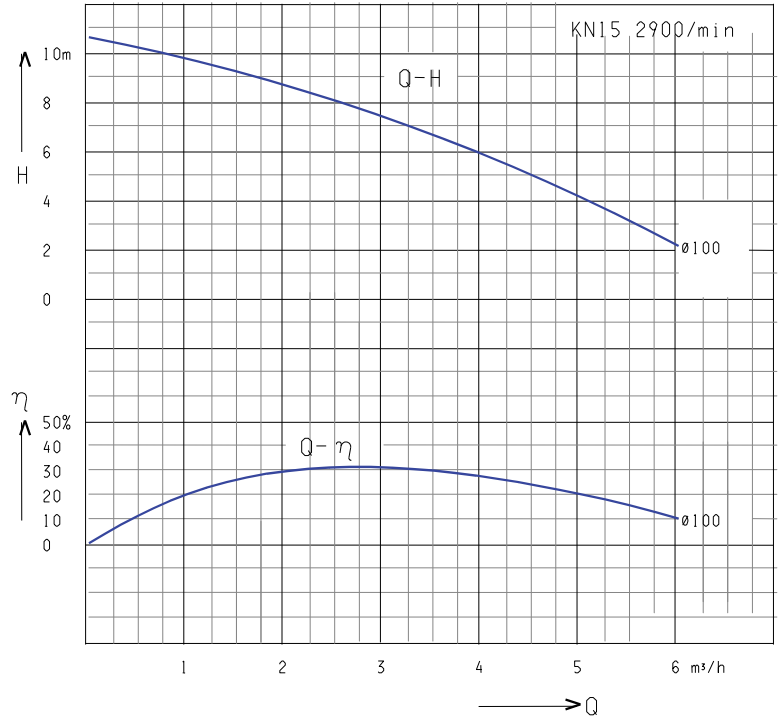


PARAMETERS

- Flow rate : max. 6.000 l/h @50Hz
- Discharge head : max. 1,0 bar @50Hz
- Motor power : max. 0,55 kW
- Working temperature : max. 130°C
- Operating pressure : max. 6 bar

CHARACTERISTICS KN 1

50 Hz



SANITARY NON SELF-PRIMING KN 2

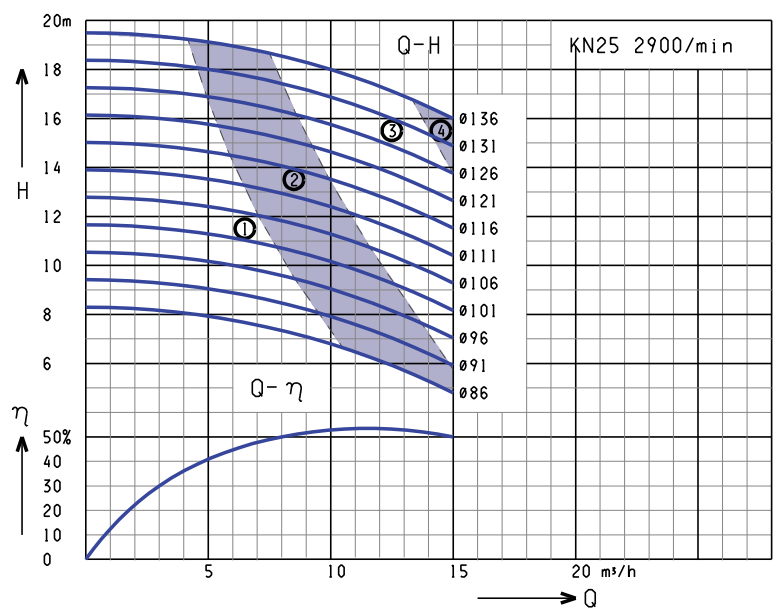


PARAMETERS

- Flow rate : max. 15,000 l/h @50Hz
- Discharge head : max. 19 mWC @50Hz
- Motor power : max. 1.5 kW
- Working temperature : max. 130°C
- Operating pressure : max. 10 bar

CHARACTERISTICS KN 2

50 Hz



SANITARY NON SELF-PRIMING KN 3

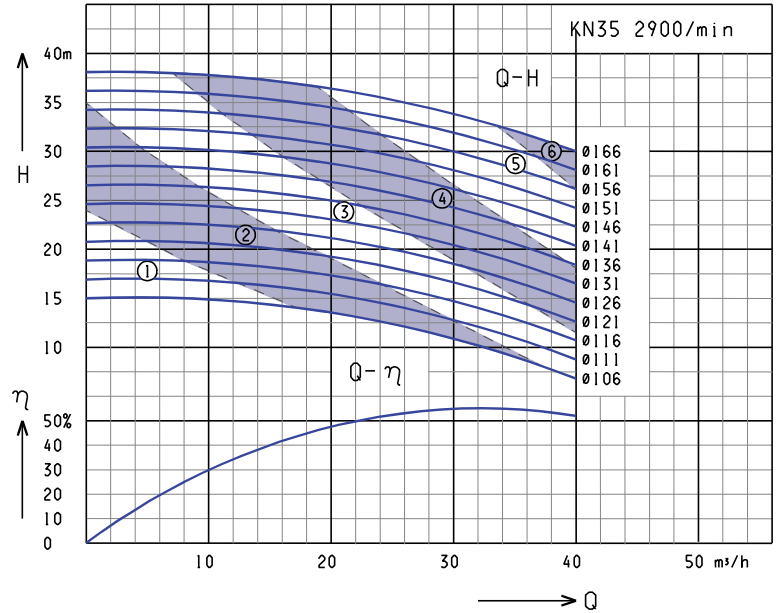


PARAMETERS

- Flow rate : max. 50000 l/h @50Hz
- Discharge head : max. 40mWC @50Hz
- Motor power : max. 9.5 kW
- Working temperature : max. 130°C
- Operating pressure : max. 16 bar

CHARACTERISTICS KN 3

50 Hz



WFI PUMP



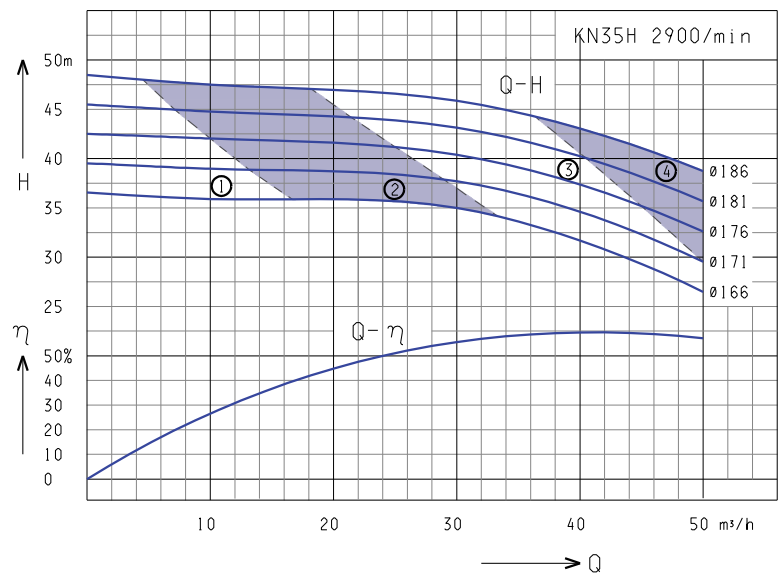
Specially designed to transfer WFI at high temperature. Suitable for CIP & SIP applications. Diaphragm valve provided at the bottom ensures zero hold up of WFI & no contamination due to stagnancy.

PARAMETERS

- Flow rate : max. 50.000 l/h @50Hz
- Discharge head : max. 48 mWC @50Hz
- Motor power : max. 9.5 kW
- Working temperature : max. 130°C
- Operating pressure : max. 16 bar

Characteristics KN 35H

50 Hz



APPLICATIONS



PHARMACEUTICALS :
Water, Syrups, CIP etc.



BEVERAGES :
Sugar Syrup, Juices



DISTILLERIES :
Alcohol Transfer, Wine, Final products



BREWERIES :
Beer & Wort



DAIRIES :
Milk & Whey



FOODS :
Mineral Water, Syrups



CHEMICAL :
Solvents



SYSTEMS :
CIP, WFI Loop